



WASZP®

PARTS CATALOGUE 2017

CONTACT

sales@waszp.com
+61 (0)3 9585 3585

WEBSITE

<http://www.waszp.com>

WEBSHOP

<http://kasail.com/waszp/product>

SOCIAL

<http://www.facebook.com/thewaszp>
<http://vimeo.com/thewaszp>
<http://twitter.com/thewaszp>



Contents

WELCOME

This guide will assist you in locating part names or numbers

The majority of parts are available online please visit

<http://kasail.com/waszp/product>

You will need to have an account prior to accessing our web shop, but you can easily register an account if you do not already have one.

To locate parts by number, click list view in the left hand navigation panel,

▶ List View (Search)

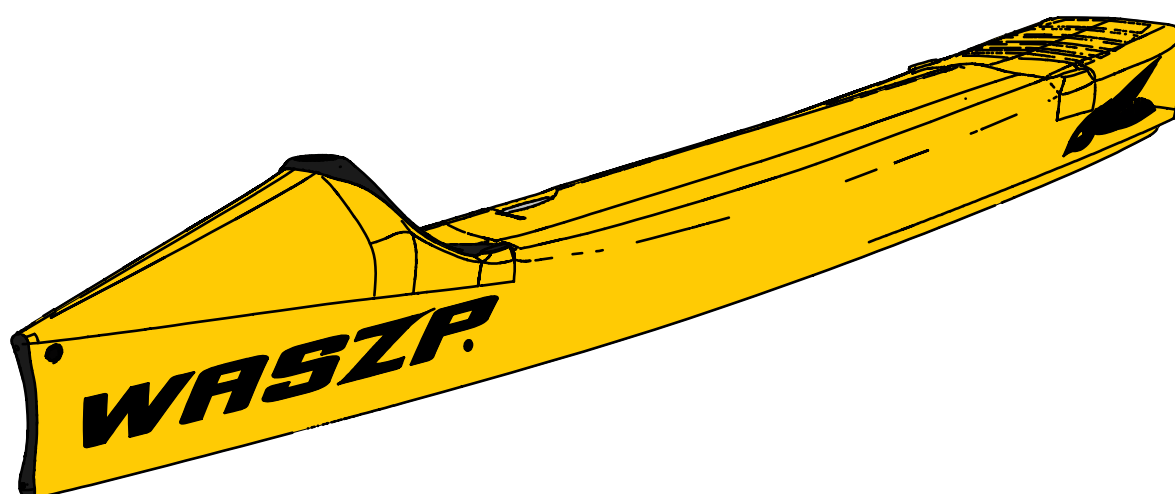
Once loaded you will find a search box in the top right hand side of the page.

1	Hull Assembly
5	Bolt Rope Track Assembly - Front
9	Bolt Rope Track Assembly - Rear
13	Bulkhead Fittings
17	Hull - Fixed Parts
23	Hull - Non Fixed Parts
29	GPS Mount Assembly
33	Wing Assembly
39	Front Tube with End
43	Rear Tube with End
47	Front Foil Assembly
51	Front Foil Vertical Assembly
59	Front Foil Horizontal Assembly
63	Cruiser Front Foil Horizontal Assembly
67	Rear Foil Assembly
71	Rear Foil Vertical Assembly
75	Rear Foil Horizontal Assembly
79	Gantry Assembly
83	Rudder Box Assembly with Tiller and Extension
87	Tiller Assembly with Extension
91	Tiller Extension with Grip
95	Tiller Assembly without Extension
99	Tiller Mechanism Assembly
103	Rudder Box Assembly with Cleat and pulley
107	Rudder Box Assembly
111	Rudder pin with Ring
115	Wand Assembly (up to reversing lever)
119	Wand Subassembly
123	Wand Shaft with Paddle
127	Control Assembly (from reversing lever back)
131	Ride Height Adjuster Assembly
135	Ropes and Pulleys
139	Rig Assembly
143	Mast for 8.2m sail Assembly
147	Mast for 6.9m sail Assembly
151	Boom Assembly
155	WASZP Sail 8.2m Assembly
159	WASZP Sail 6.9m Assembly
163	Downhaul Ropes and Pulleys
167	Outhaul Ropes and Pulleys
171	Mainsheet Ropes and Pulleys
175	Trolley Assembly
181	Softgoods Assembly

Hull Assembly

Hull Assembly

HULL ASSEMBLY
WZHX



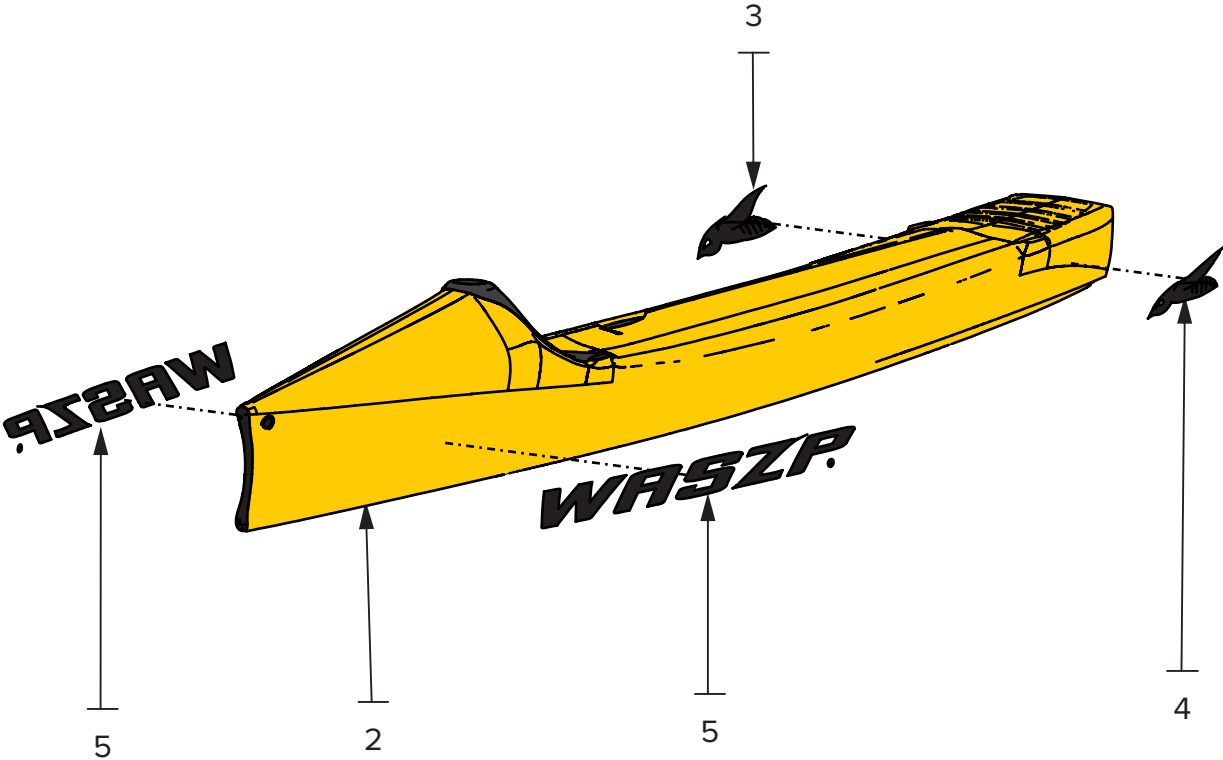
available hull colors

Hull Assembly

No.	Part no.	Description	Qty
1	WZHX	Hull Assembly	1
2	WZH	Bare Hull	1
3	WZHSSR	Stern Sticker Right	1
4	WZHSSL	Stern Sticker Left	1
5	WZHBS	Bow Sticker	2

Hull Assembly

HULL ASSEMBLY
WZHX



Bolt Rope Track Assembly - Front

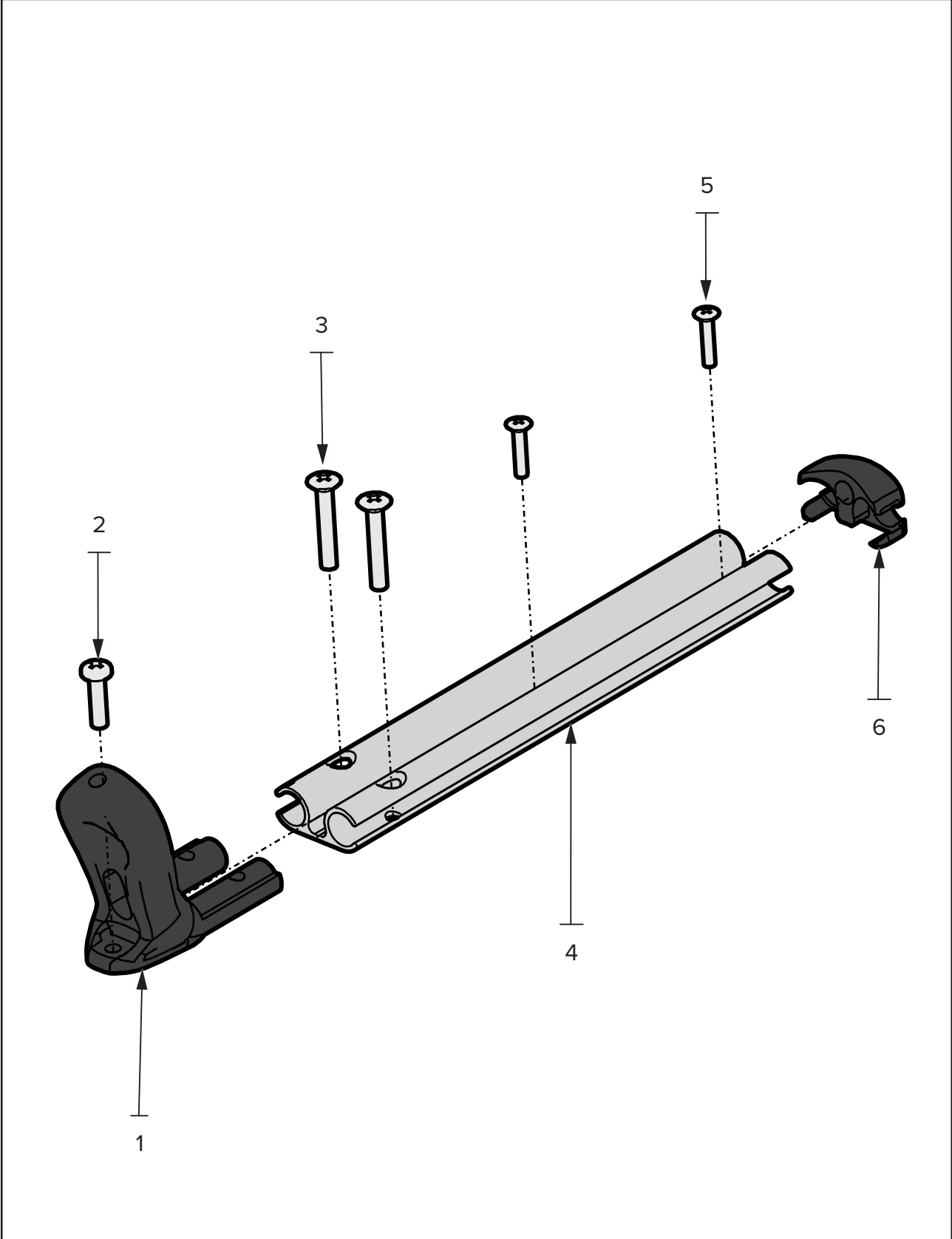
Bolt Rope Track Assembly - Front



Bolt Rope Track Assembly - Front

No.	Part no.	Description	Qty
1	WZGPSM	GPS mount base	1
2	BO4x15RHP	M4x15mm Round Head Bolt Phillips	1
3	BO4x25CSP	M4x25mm Countersunk Bolt Phillips	2
4	WZHBREF	Hull bolt rope extrusion front	1
5	BO3x20RHP	M3x20mm Round Head Bolt Phillips	2
6	WZHBREEF	Hull bolt rope extrusion end stopper front	1

Bolt Rope Track Assembly - Front



Bolt Rope Track Assembly - Rear

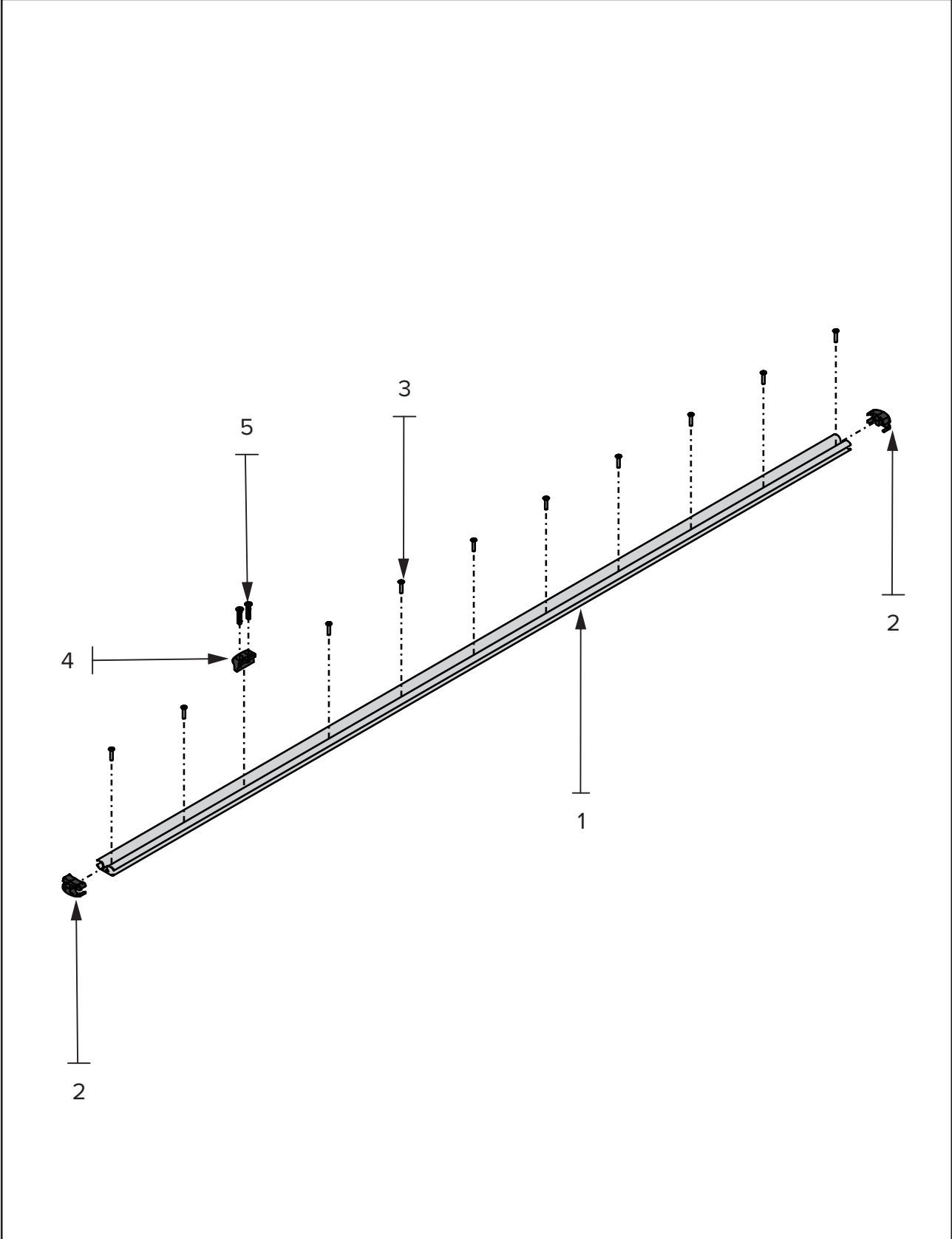
Bolt Rope Track Assembly - Rear



Bolt Rope Track Assembly - Rear

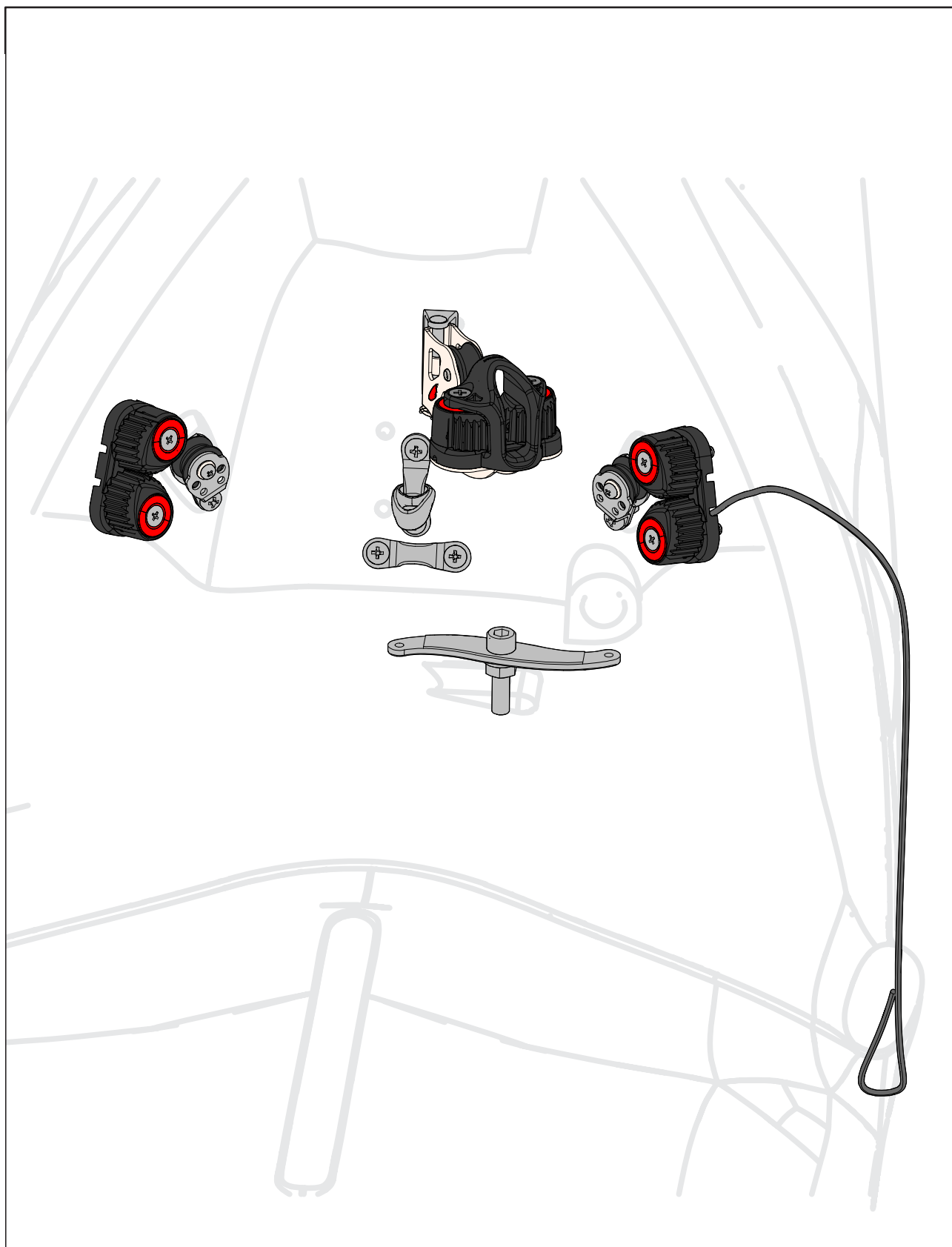
No.	Part no.	Description	Qty
1	WZHBREER	Hull bolt rope extrusion rear	1
2	WZHBREE	Hull bolt rope extrusion end stopper	2
3	BO3x20RHP	M3x20mm Round Head Bolt Phillips	10
4	WZHMM	Hull mainsheet mount	1
5	BO4x20CSR	M4x20mm C/S Pan Head Phillips	2

Bolt Rope Track Assembly - Rear



Bulkhead Fittings

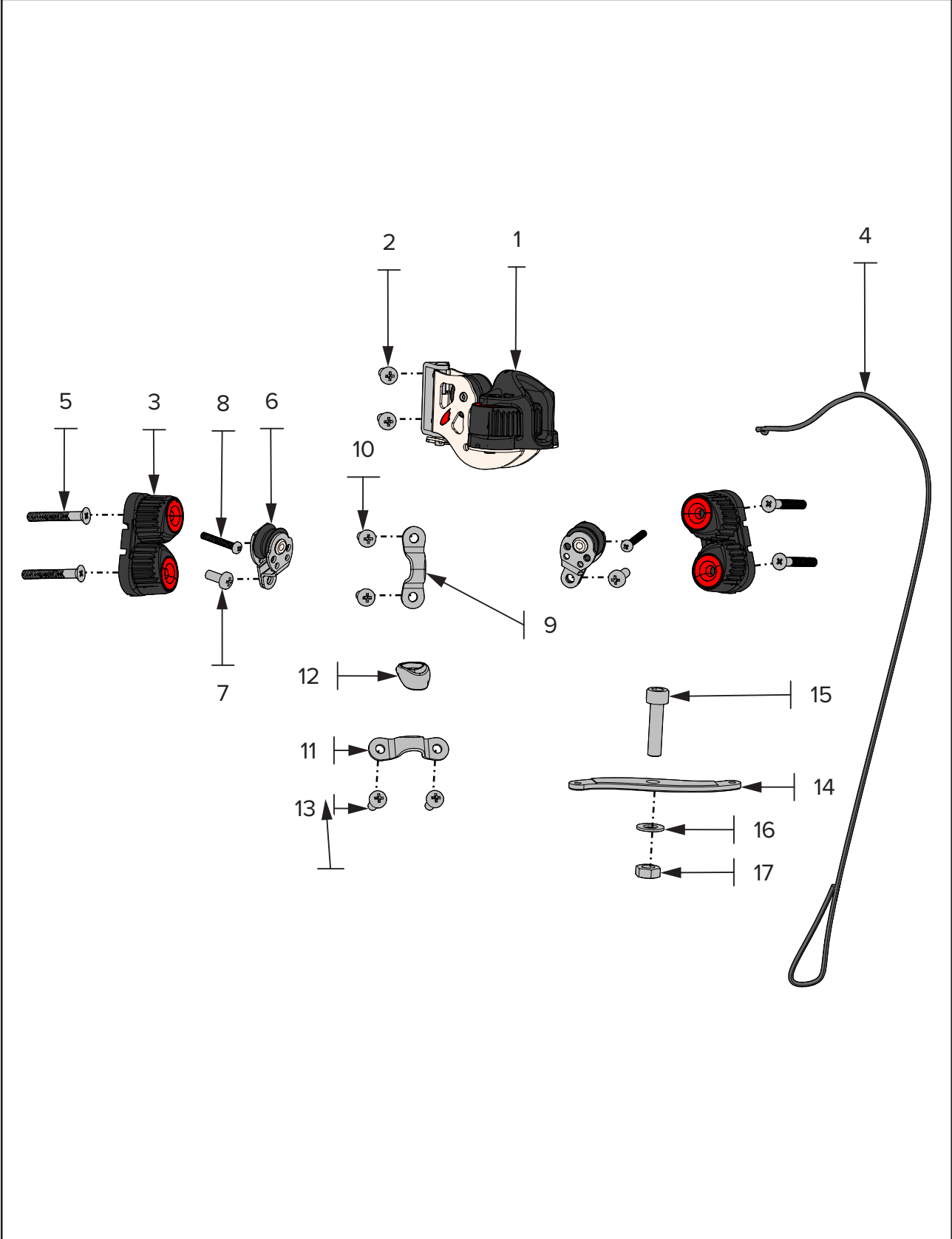
Bulkhead Fittings



Bulkhead Fittings

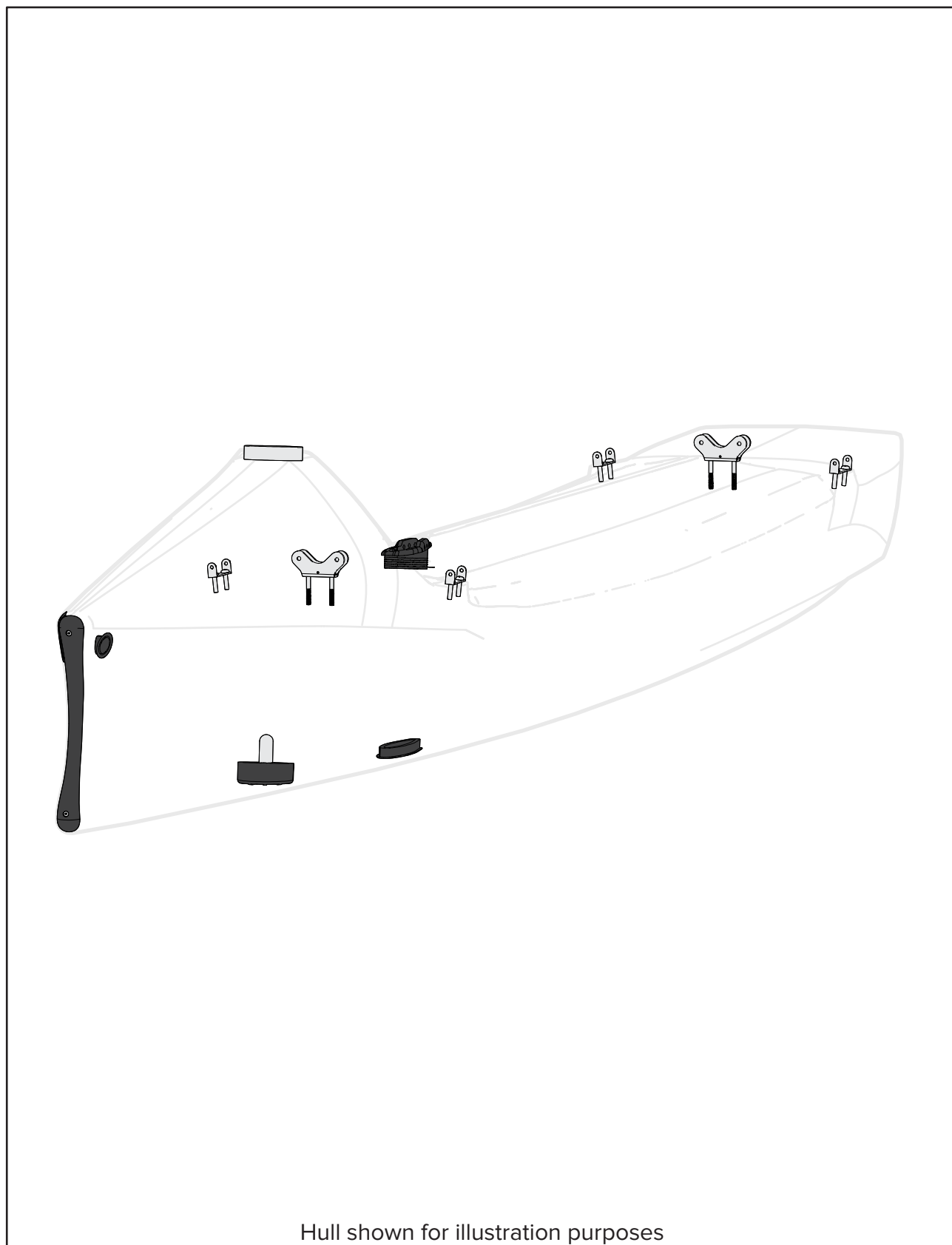
No.	Part no.	Description	Qty
1	RF20175	Ronstan pivoting lead, cleat	1
2	BO4x10RHP	M4x10mm Round Head Bolt Phillips	2
3	RF5001	Ronstan T-Cleat	2
4	ROD2G	Dyneema 2mm Grey	0.45m
5	BO4x30CSP	M4x30mm Countersunk Bolt Phillips	4
6	HK432	Harken Cheek Pivot Block	2
7	BO4x10RHP	M4x10mm Round Head Bolt Phillips	2
8	BO3x20RHP	M3x20mm Round Head Bolt Phillips	2
9	HK281	Harken 27mm Micro Eyestraps	1
10	BO4x10RHP	M4x10mm Round Head Bolt Phillips	2
11	HK281	Harken 27mm Micro Eyestraps	1
12	RF8080	Ronstan Shock	1
13	BO4x10RHP	M4x10mm Round Head Bolt Phillips	2
14	WZCRL	Reversing lever	1
15	BO6x25SH	M6x25mm Cap Bolt (Reversing Lever Axle)	1
16	BO6W	M6 Washer	1
17	BO6LN	M6 Lock Nut	1
15*	BO5x25SH	M5x25mm Cap Bolt (Reversing Lever Axle)	1
16*	BO5W	M5 Washer	1
17*	BO5LN	M5 Lock Nut	1
* Boats delivered before Spring 2017 have M5 Reversing lever Axles and may require additional washers for pull rod alignment			

Bulkhead Fittings



Hull - Fixed Parts

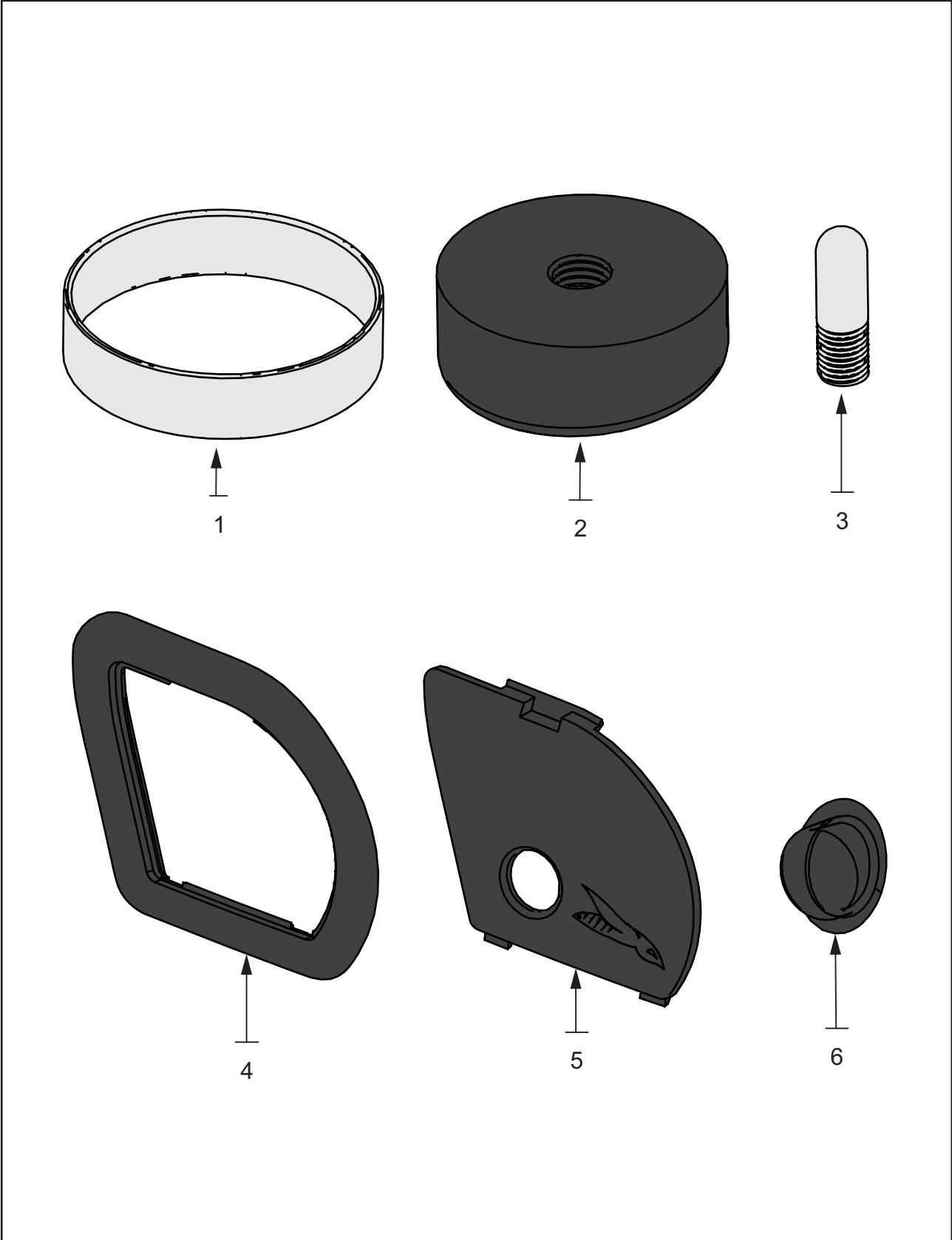
Hull - Fixed Parts



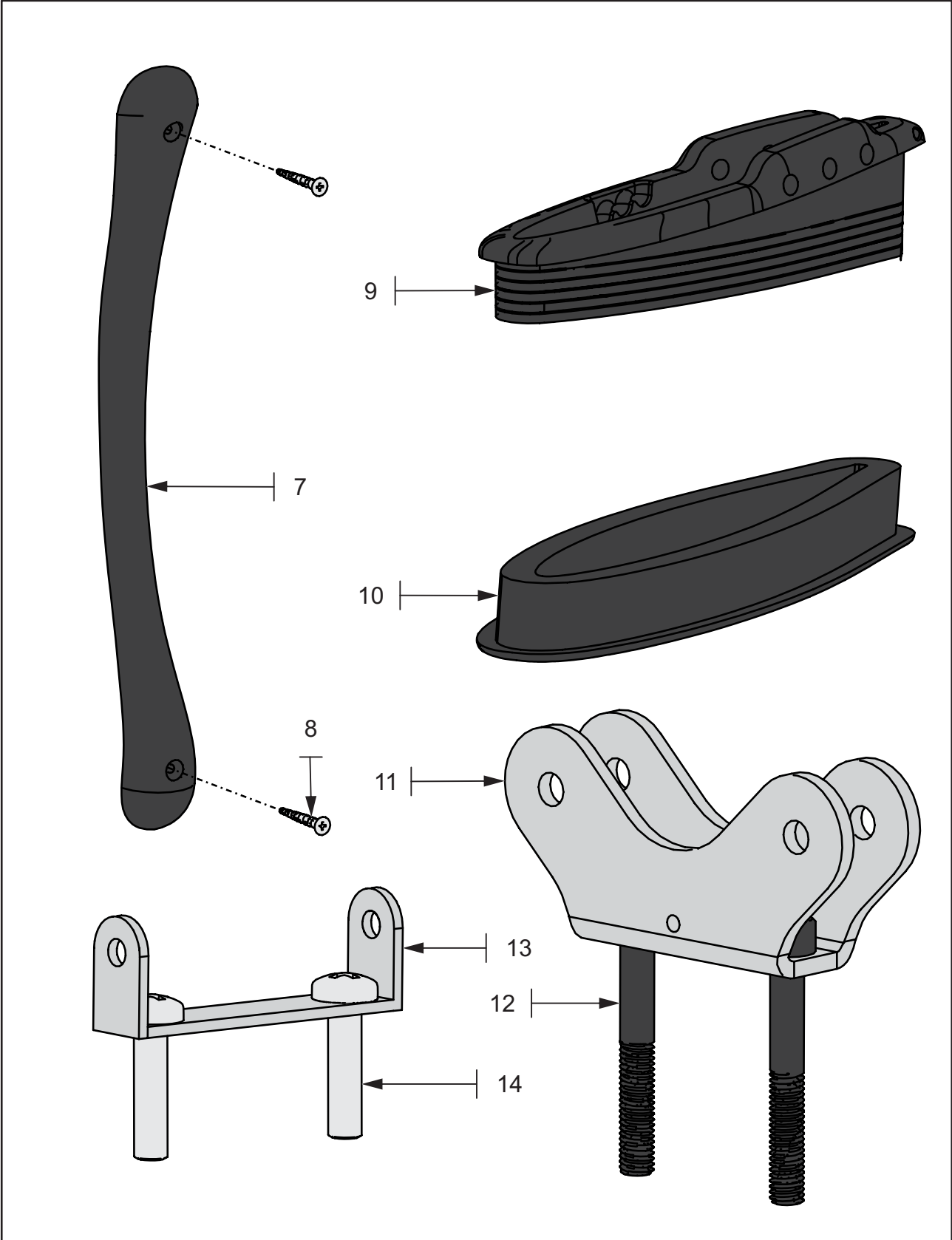
Hull - Fixed Parts

No.	Part no.	Description	Qty
1	WZHMSR	Hull mast socket ring	1
2	WZHMST	Hull mast step	1
3	WZHMSP	Hull mast step pin	1
4	WZHWCS	Wand cavity surround	1
5	WZHWCC	Wand cavity cover	1
6	WZHWCCCL	Wand port cover	1
7	WZHN	Hull nose	1
8	BOST8x30CSP	8g Self tapping screw	2
9	WZHFFCIT	Hull front foil case top insert	1
10	WZHFFCIB	Hull front foil case bottom insert	1
11	WZHWH	Hull wing hinge	2
12	BO6x45SH	M6x45mm Cap Bolt Partial Thread	4
13	WZHWSM	Wing support mount	4
14	BO6x25RHP	M6x25mm Round Head Bolt Phillips	8

Hull - Fixed Parts



Hull - Fixed Parts

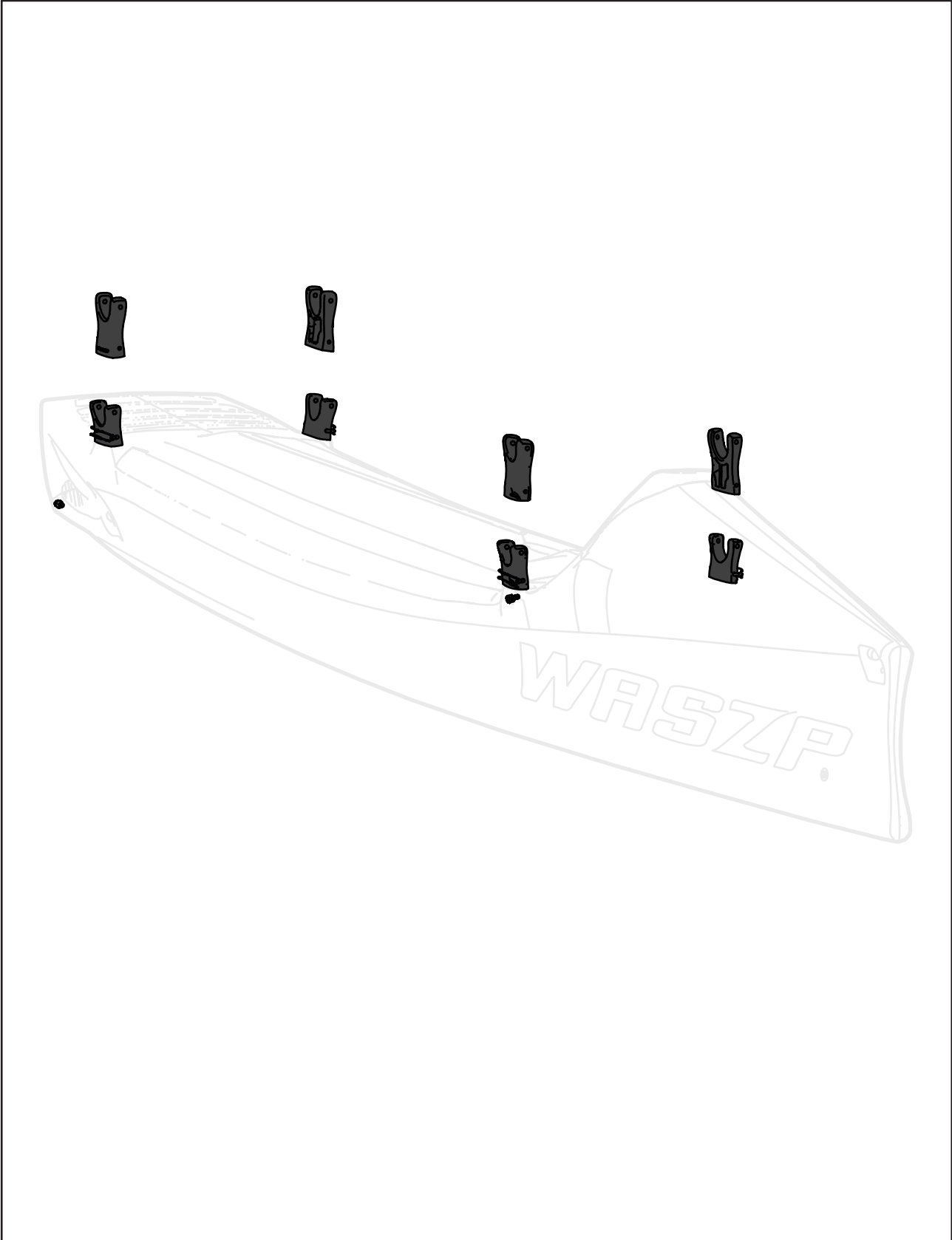




Page left intentionally blank

Hull - Non Fixed Parts

Hull - Non Fixed Parts

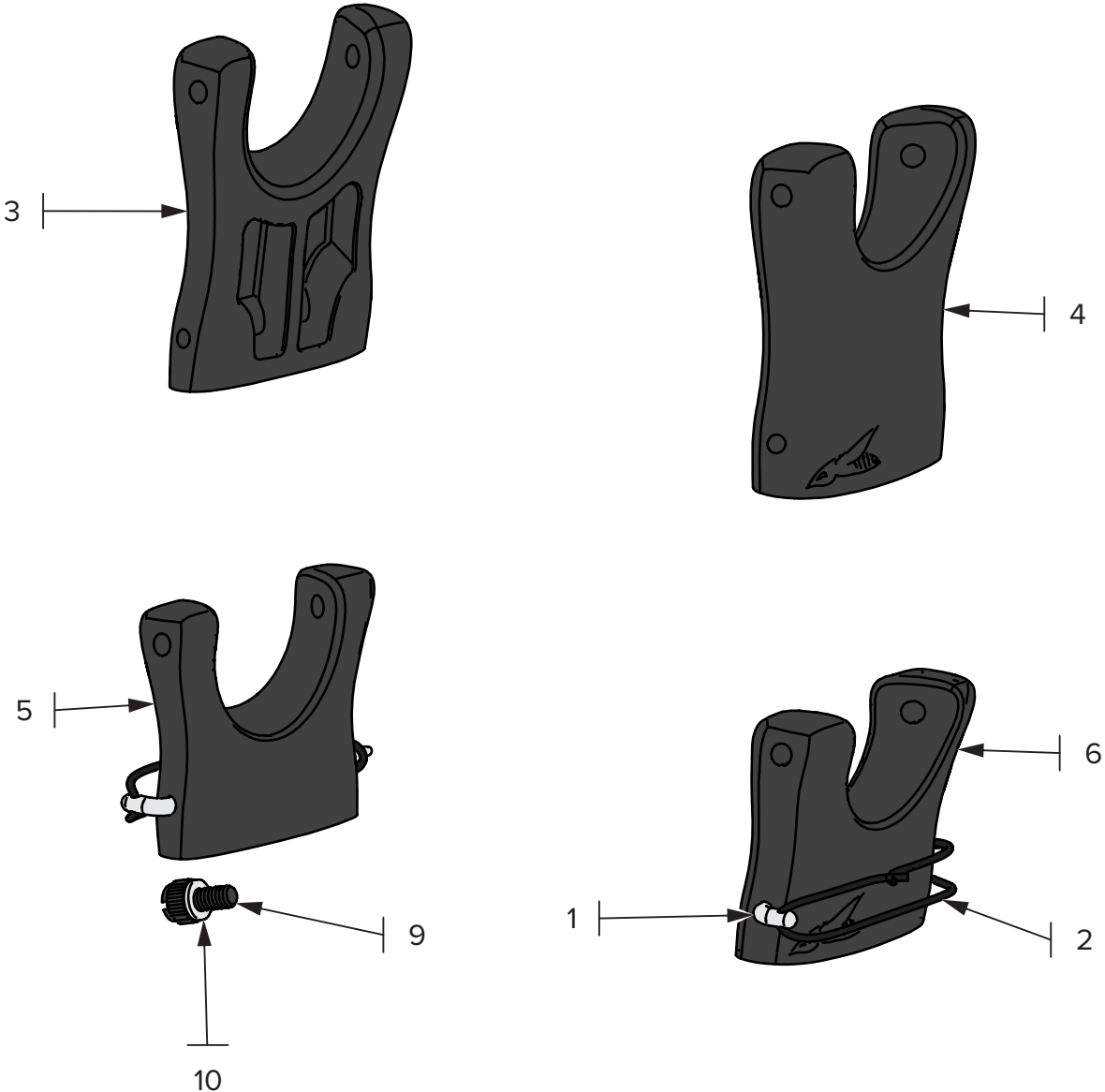


Hull - Non Fixed Parts

No.	Part no.	Description	Qty
1	WZWSMP	Wing support mount pin	4
2	ROS2	Bungee 2mm Black (0.2m x 4 off)	0.8m
3	WZWSFUR	Wing support front up right	1
4	WZWSFUL	Wing support front up left	1
5	WZWSFDR	Wing support front down right	1
6	WZWSFDL	Wing support front down left	1
7	WZWSRU	Wing support rear up	2
8	WZWSRD	Wing support rear down	2
9	BO1-4x10P	1/4"-20 Plastic Bolt (Bung)	2
10	BO6WR	6mm Rubber washer (Bung)	2

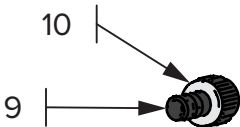
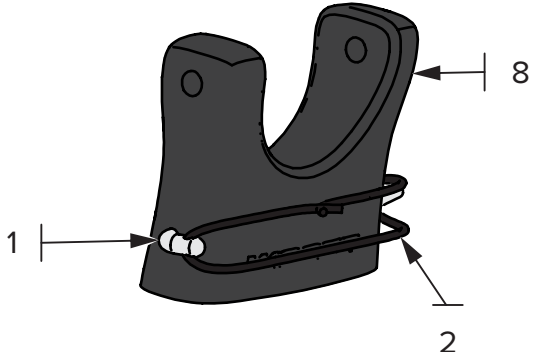
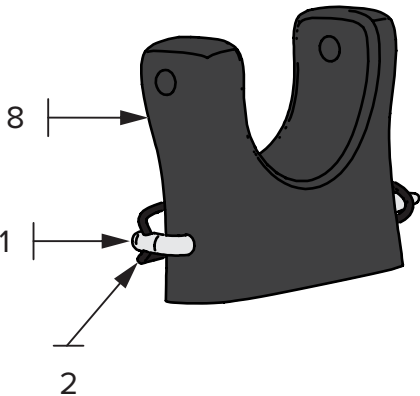
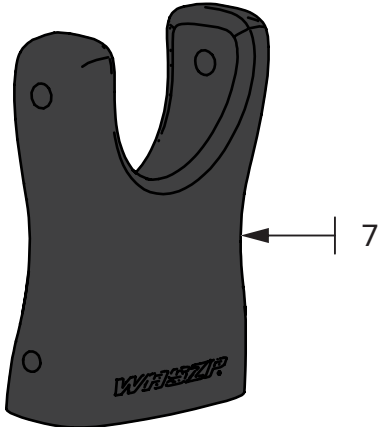
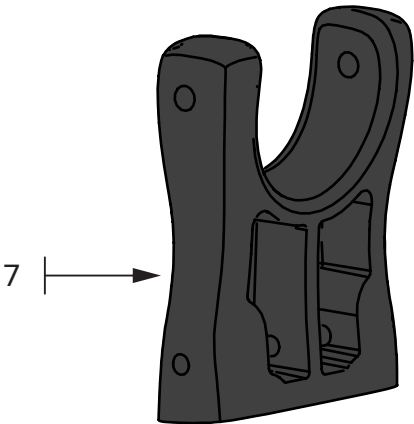
Hull - Non Fixed Parts

FRONT WING BLOCKS AND BUNG



Hull - Non Fixed Parts

REAR WING BLOCKS AND BUNG



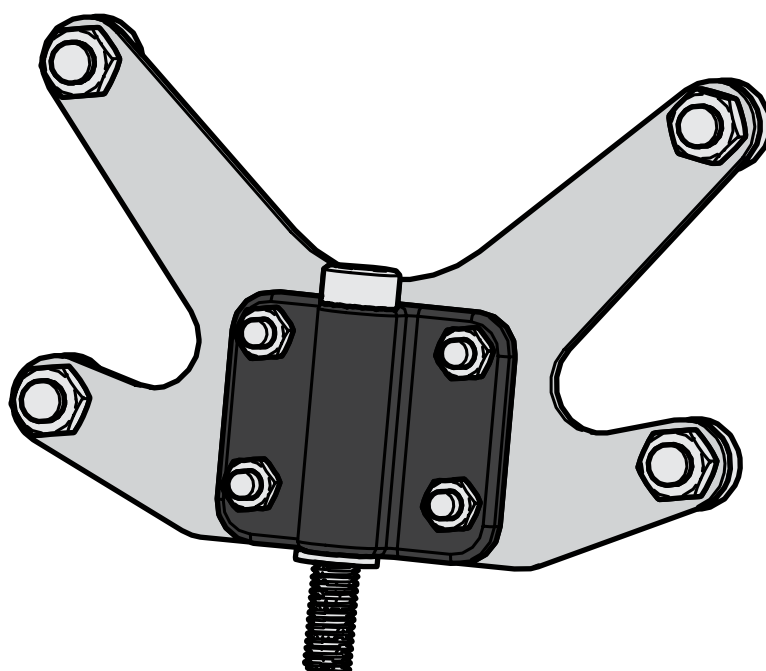
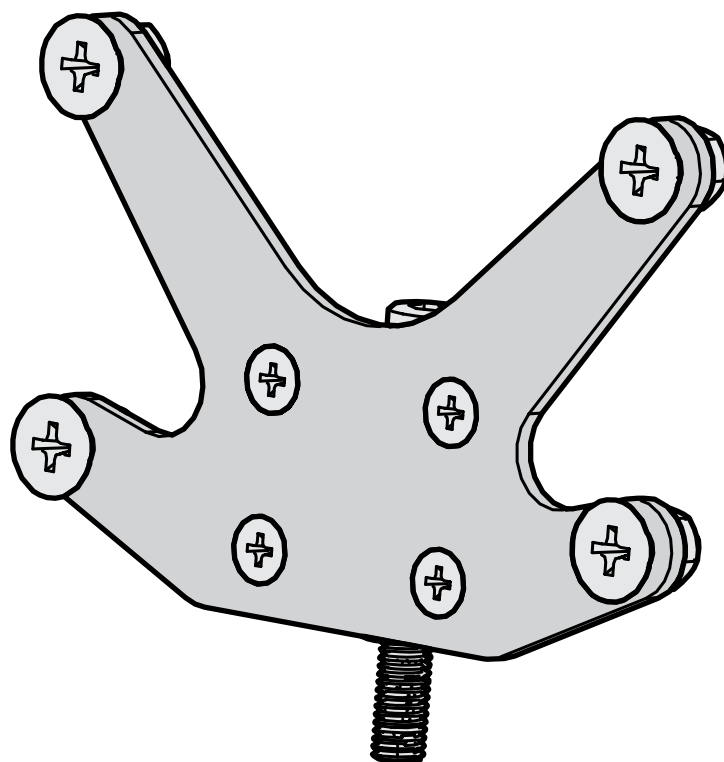


Page left intentionally blank

GPS Mount Assembly

GPS Mount Assembly

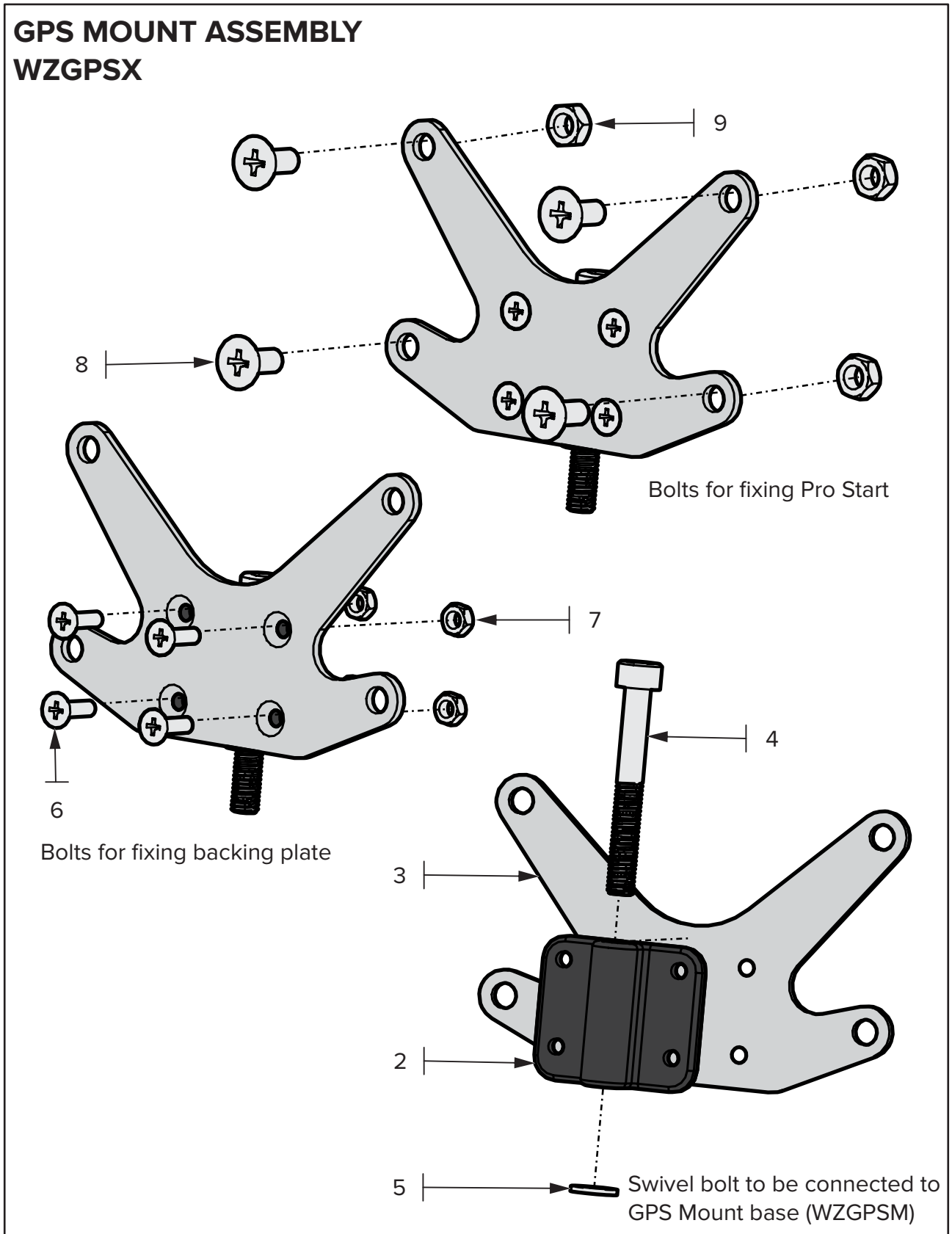
GPS MOUNT ASSEMBLY
WZGPSX



GPS Mount Assembly

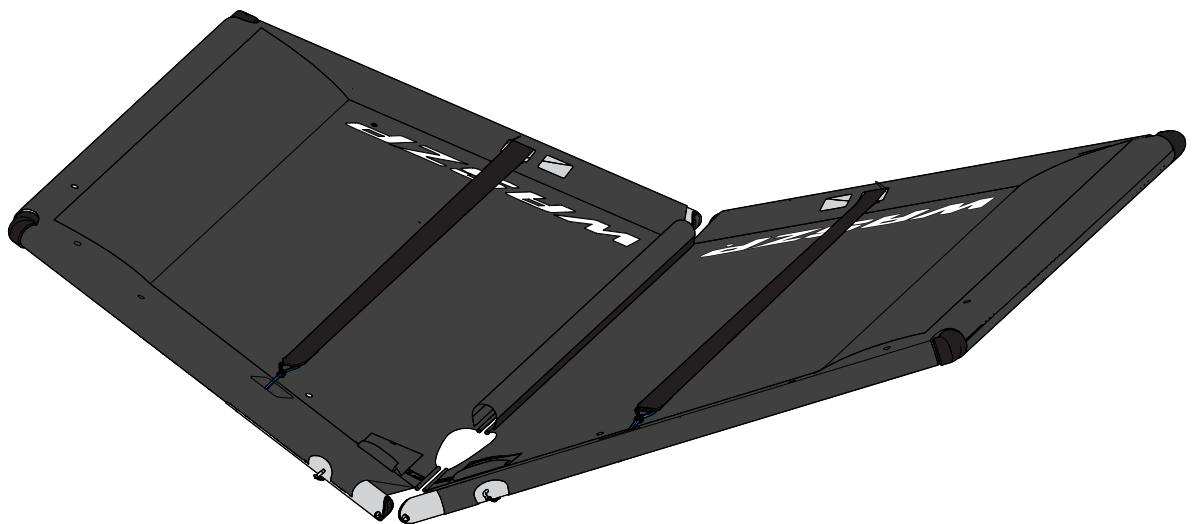
No.	Part no.	Description	Qty
1	WZGPSX	GPS mount assembly	1
2	WZGPSB	GPS mount swivel	1
3	WZGPSBPS	GPS mount ProStart backing	1
4	BO5x40SH	M5x40mm Cap Bolt Partial Thread	1
5	BO5W	M5 Washer	1
6	BO3x8CSP	M3x8mm Countersunk Bolt Phillips	4
7	BO3LN	M3 Lock Nut	4
8	BO4x10CSP	M4x10mm Countersunk Bolt Phillips	4
9	BO4LN	M4 Lock Nut	4

GPS Mount Assembly



Wing Assembly

Wing Assembly



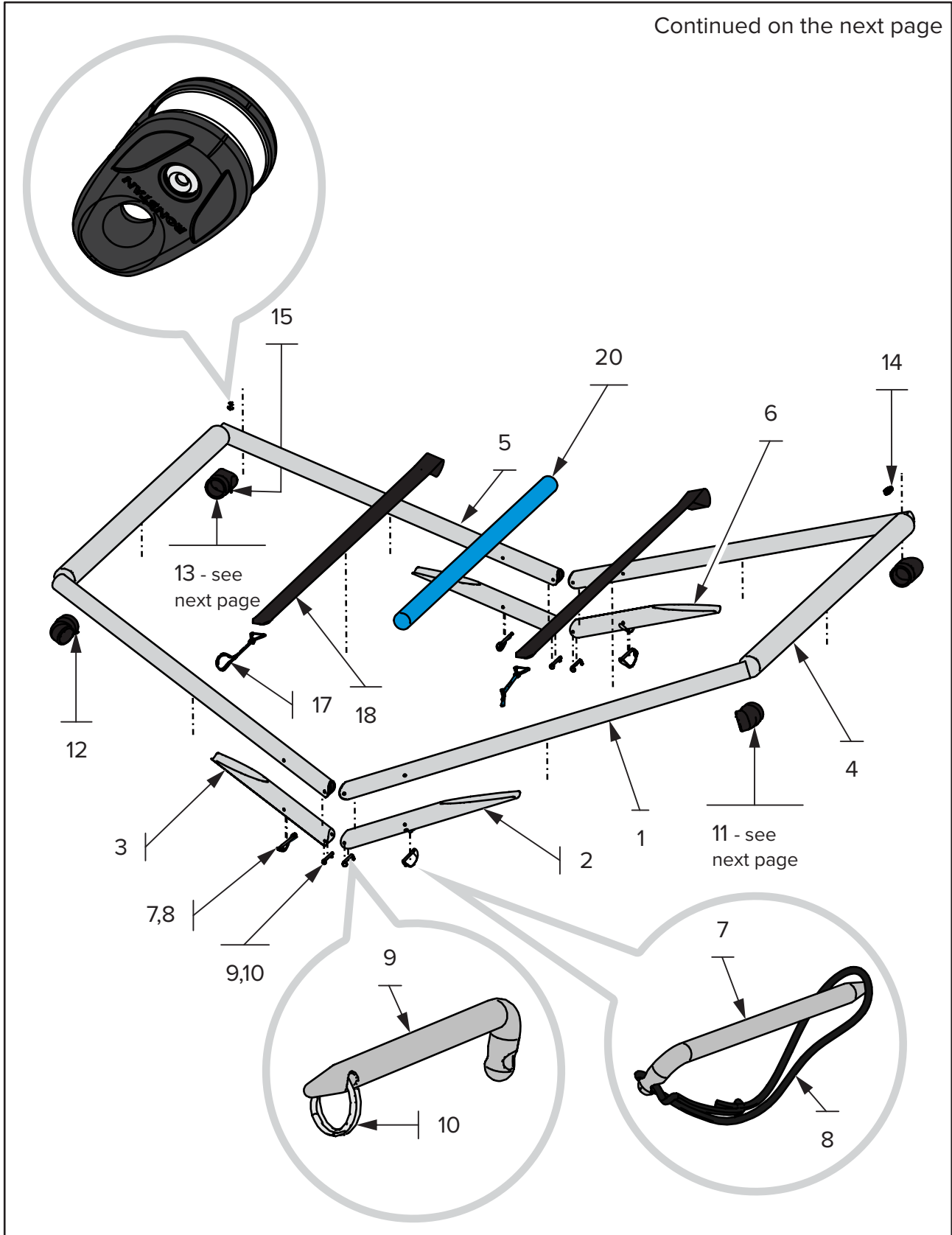
available trampoline colors

Wing Assembly

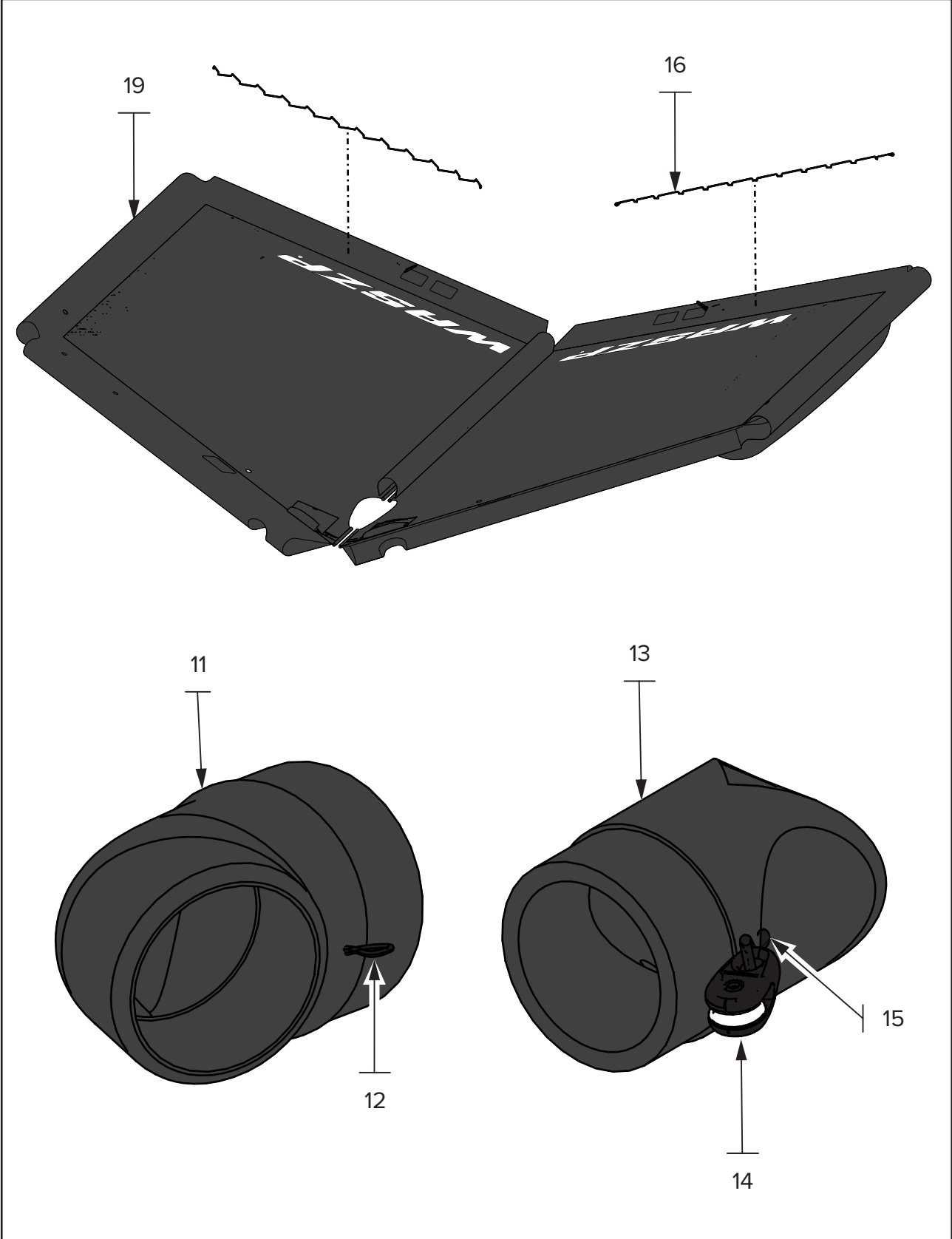
No.	Part no.	Description	Qty
1	WZWFTX	Front Tube with End	2
2	WZWTSFR	Wing tube sleeve front right	1
3	WZWTSFL	Wing tube sleeve front left	1
4	WZWOT	Outer wing tube	2
5	WZWRTX	Rear Tube with End	2
6	WZWTSR	Wing tube sleeve rear	2
7	WZWPO	Wing outer pin	4
8	ROS2	Bungee 2mm Black (for WZWPO - 0.20m x 4)	0.8m
9	WZWHP	Wing hinge pin	4
10	RF114	Ronstan Split Ring Small	4
11	WZWJF	Front wing corner joint	2
12	ROD2G	Dyneema 2mm Grey (for WZWJF - 0.12m x 2)	0.24m
13	WZWJR	Rear wing corner joint	2
14	RF13101	Ronstan Kite Block, black, white sheave	2
15	ROD2G	Dyneema 2mm Grey (for WZWJR - 0.15m x 2)	0.3m
16	ROD3	Dyneema 3mm Grey (for WZWTP1 - 2.9m x 2)	5.8m
17	ROD3	Dyneema 3mm Grey (for WZSFSS - 1.5m x 2)	3m
18	WZSFSS	Foot straps	2
19	WZWTP1	Wing tramps (includes left and right)	1 set
20	WZWTN	Noodle	1

Wing Assembly

Continued on the next page



Wing Assembly



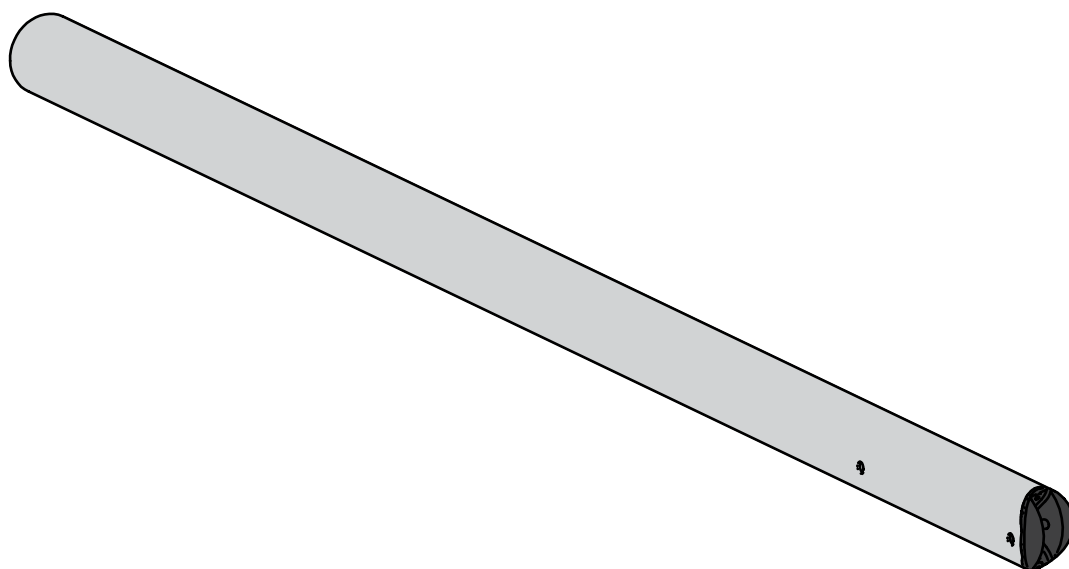


Page left intentionally blank

Front Tube with End

Front Tube with End

**FRONT TUBE ASSEMBLY
WZWFTX**

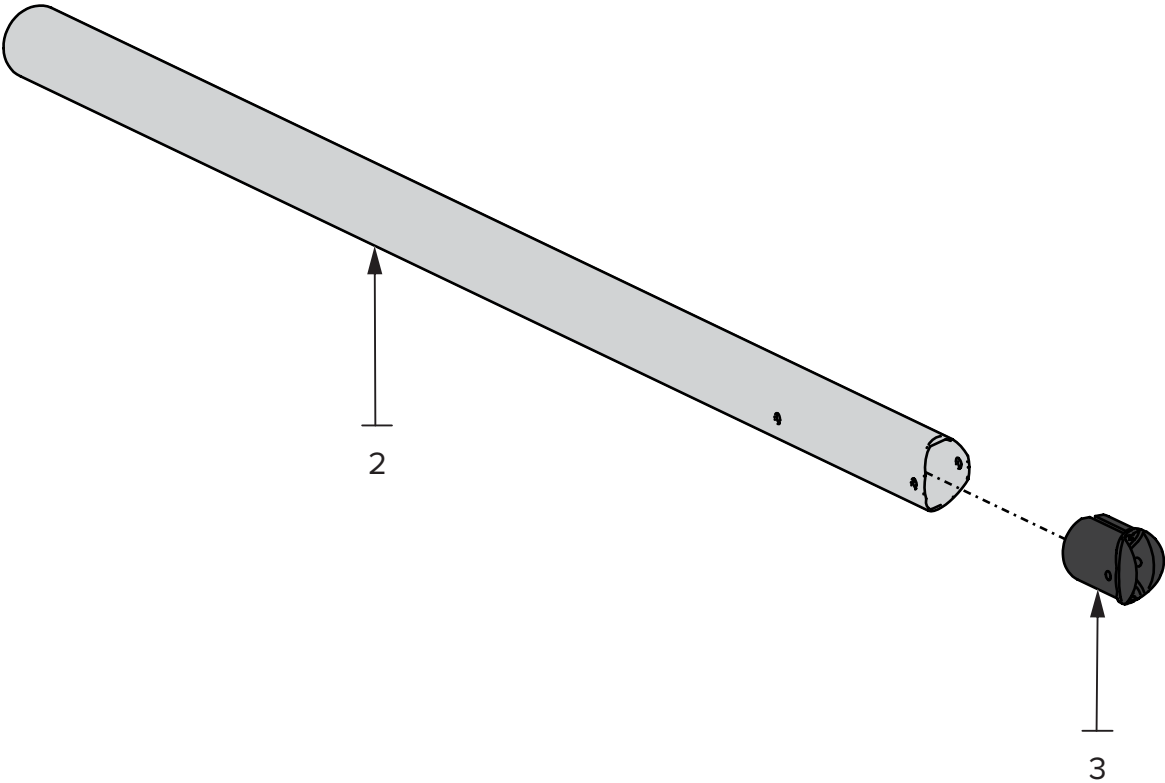


Front Tube with End

No.	Part no.	Description	Qty
1	WZWFTX	Front Tube with End	2
2	WZWFT	Front wing tube	2
3	WZWIF	Front wing tube end insert	2

Front Tube with End

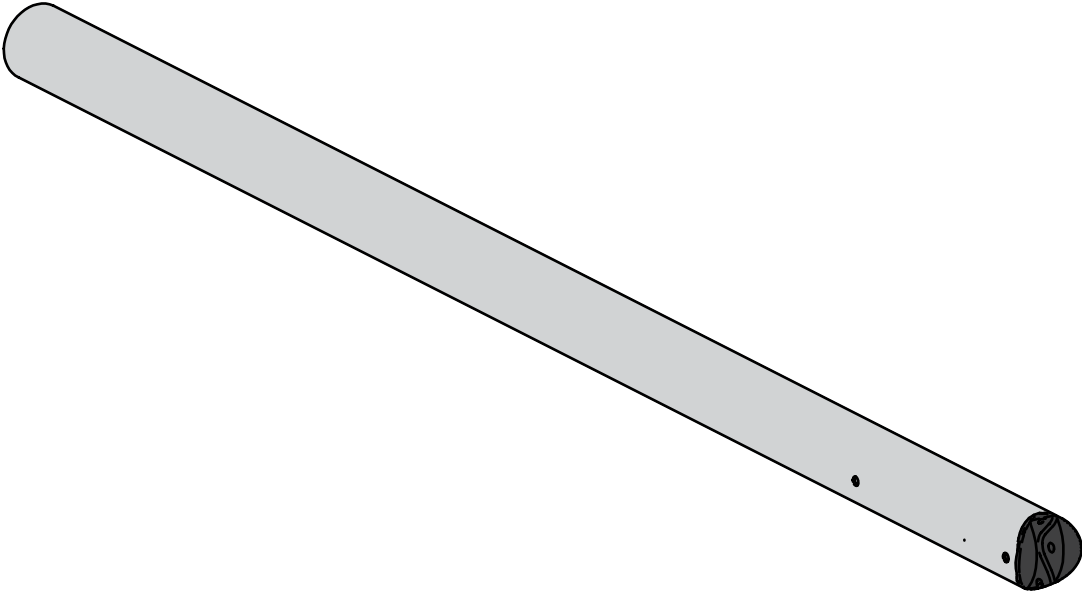
FRONT TUBE ASSEMBLY
WZWFTX



Rear Tube with End

Rear Tube with End

REAR TUBE ASSEMBLY
WZWRTX

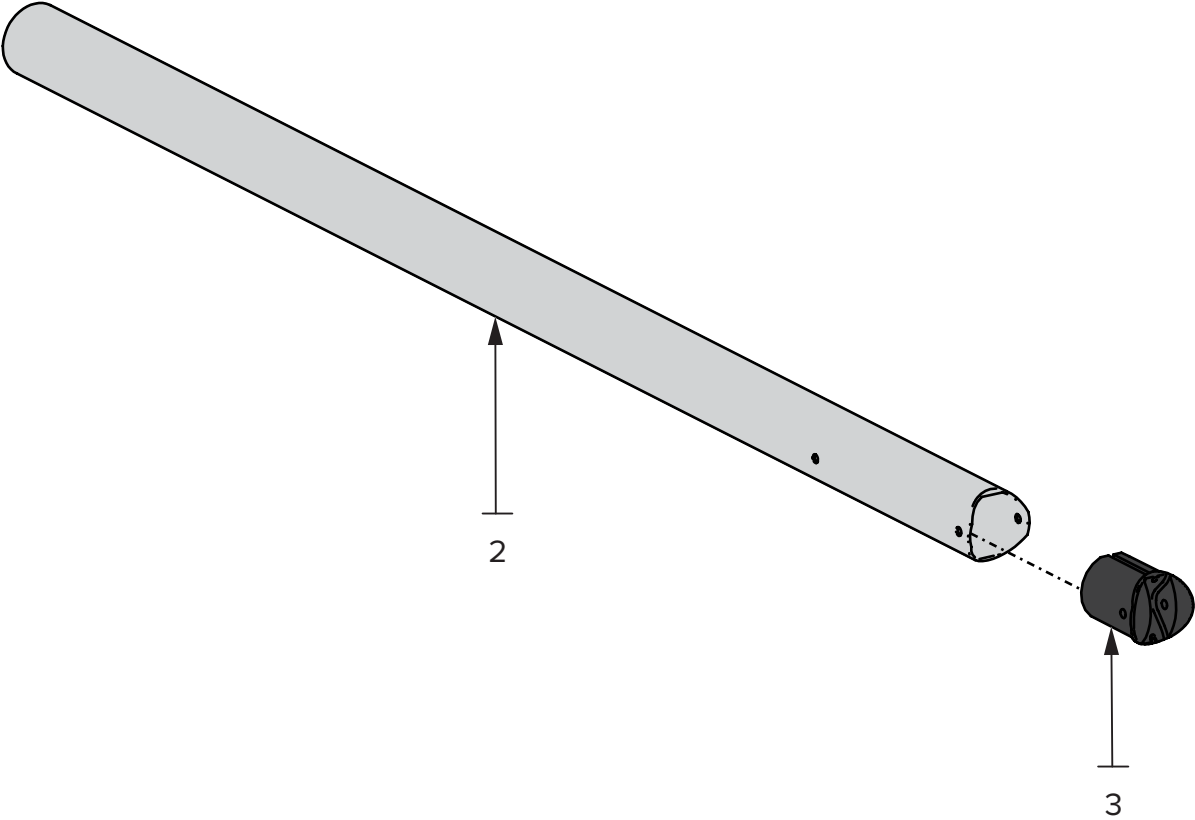


Rear Tube with End

No.	Part no.	Description	Qty
1	WZWRTX	Rear Tube with End	2
2	WZWRT	Rear wing tube	2
3	WZWIR	Rear wing tube end insert	2

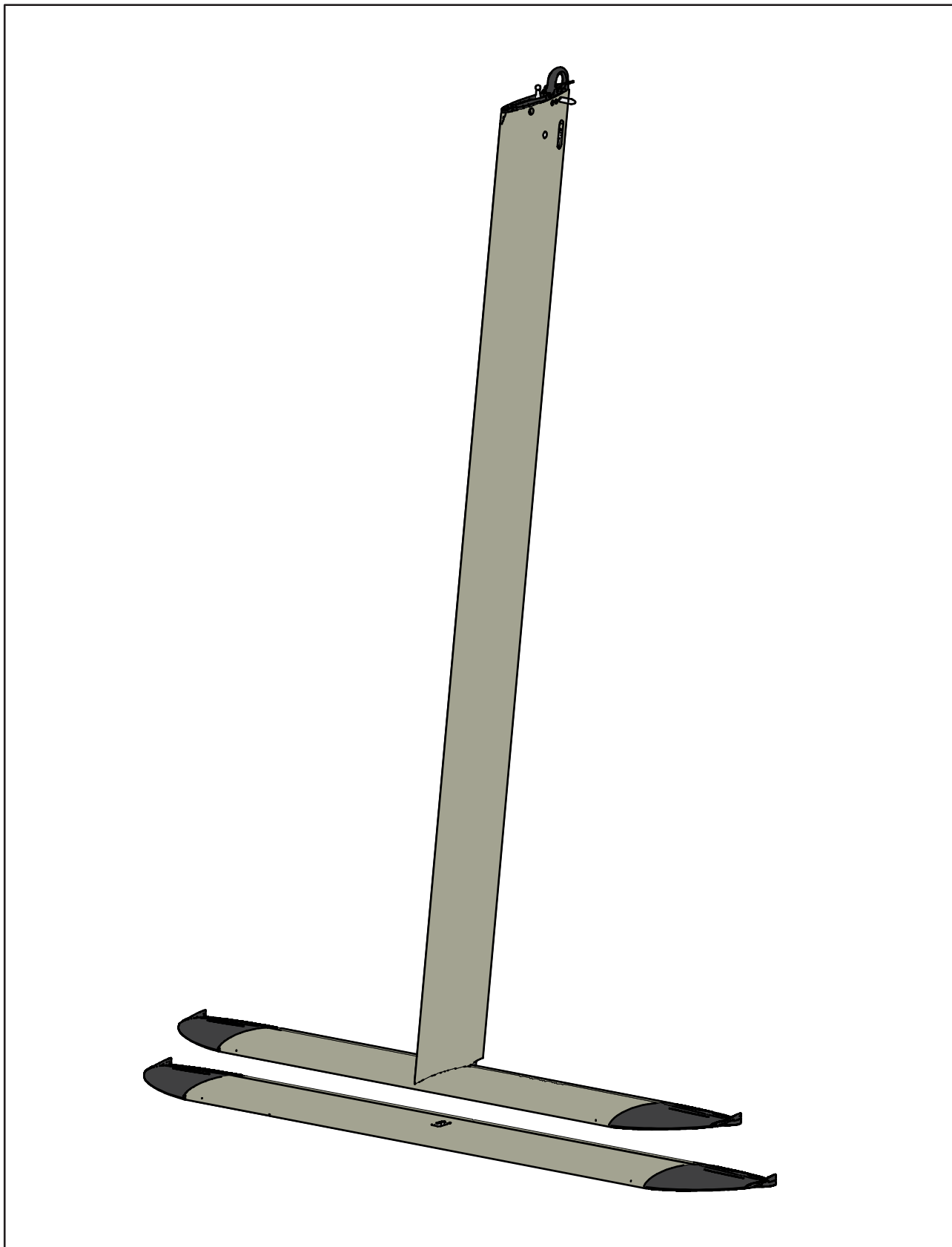
Rear Tube with End

REAR TUBE ASSEMBLY
WZWRTX



Front Foil Assembly

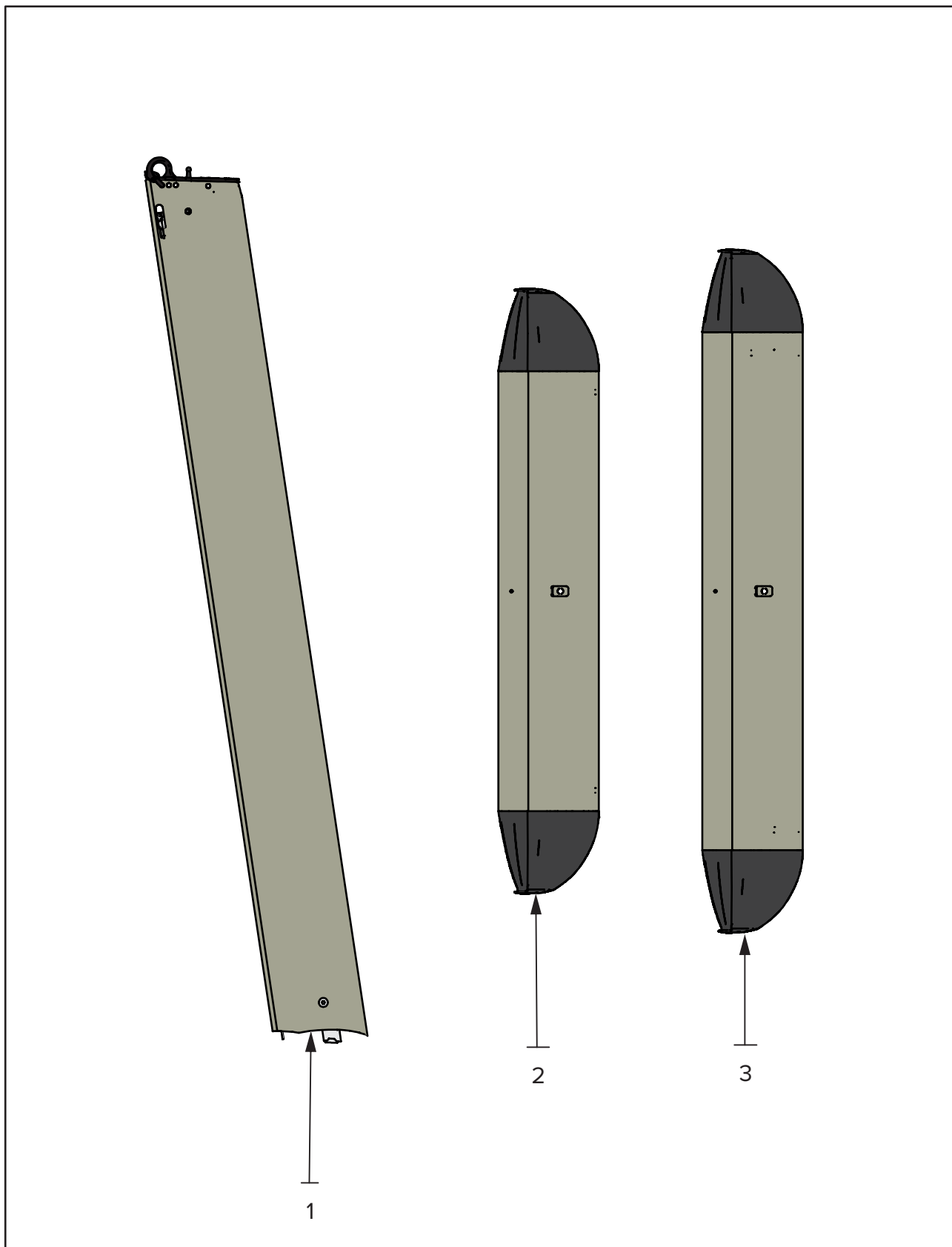
Front Foil Assembly



Front Foil Assembly

No.	Part no.	Description	Qty
1	WZFFVX	Front foil vertical assembly	1
2	WZFFHX	Front foil horizontal assembly	1
3	WZFFHLX	Cruiser front foil horizontal assembly	1

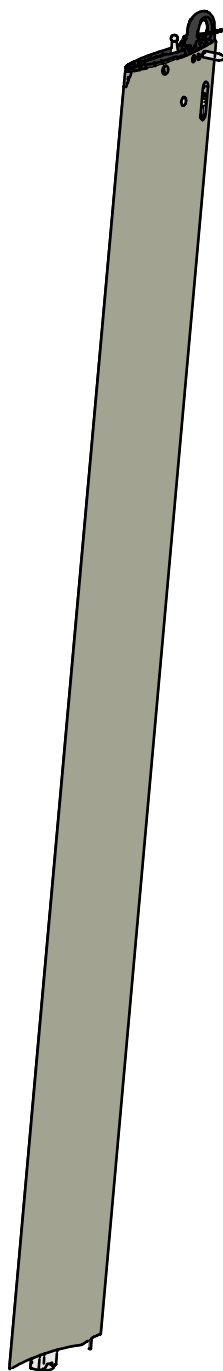
Front Foil Assembly



Front Foil Vertical Assembly

Front Foil Vertical Assembly

FRONT VERTICAL ASSEMBLY
WZFFVX

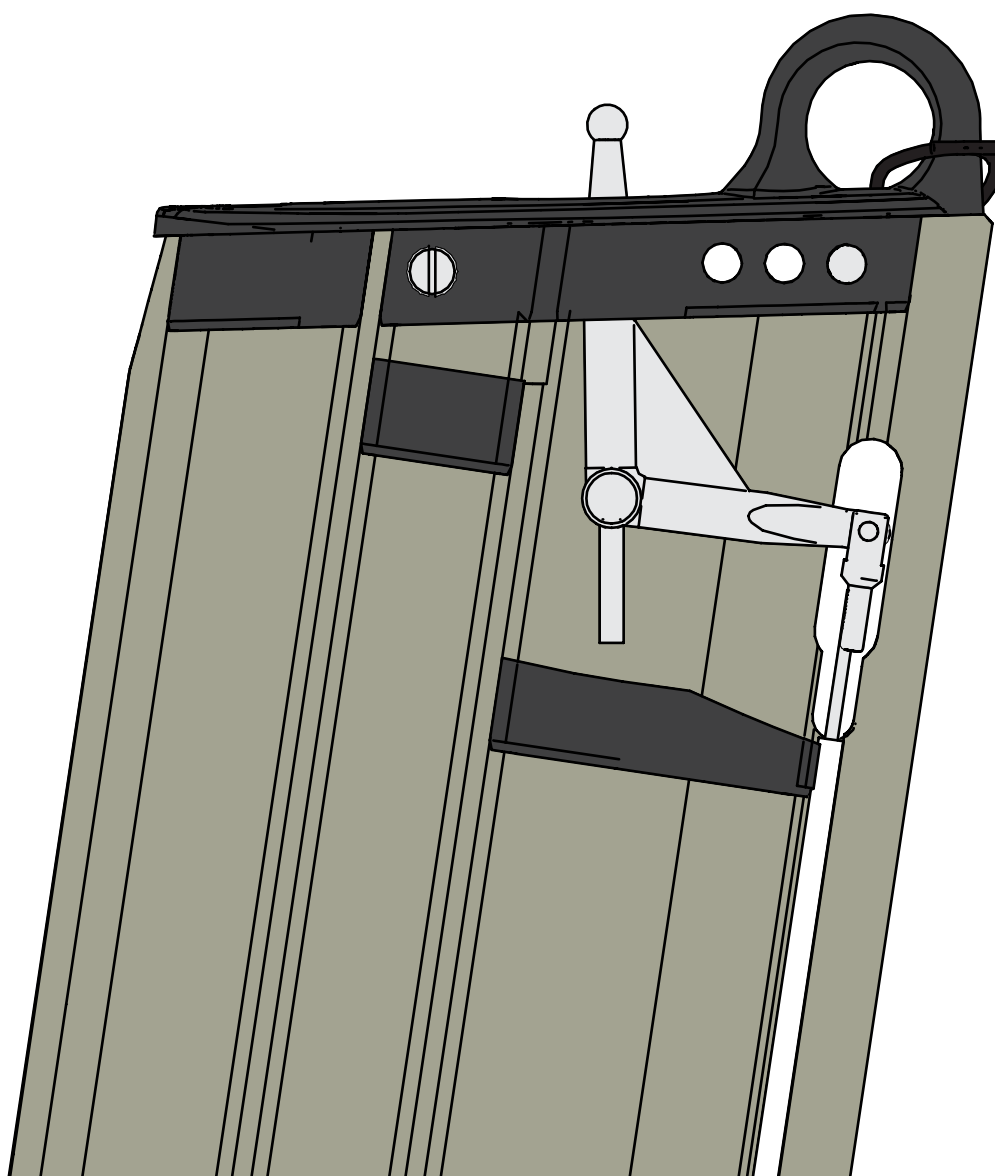


Front Foil Vertical Assembly

No.	Part no.	Description	Qty
1	WZFFVX	Front foil vertical assembly	1
2	WZFFV	Foil Front vertical	1
3	WZFFVC	Foil Front vertical cap	1
4	WZFFLP	Foil Front Locator Pin	1
5	WZFFVPF	Front Vertical Foil plug front	1
6	WZFFVPC	Front Vertical Foil plug centre	1
7	WZFFVPR	Front Vertical Foil plug rear	2
8	WZFFCP	Foil Front Connector Vertical plug	1
9	BO6x15CSA	M6x15mm C/sunk Bolt Allen	1
10	WZFFBCW	Foil front Bell crank washer	1
11	WZFFBCA	Foil front Bell crank axle	1
12	WZFFBC	Foil front Bell crank	1
13	WZFFPRTT	Foil front push rod top terminator	1
14	BO3x6GS	M3x6mm Grub Screw	1
15	WZFFCR	Foil front push rod	1
16	WZFFPRT	Foil front push rod tube	1
17	WZFB	Foil Connector Bolt (M8x1.0)	1
18	WZFRP	Foil Retaining Pin	1
19	ROS2	Bungee 2mm Black	20cm
20	WZSFCFV	Foil Cover Front Vertical	1

Front Foil Vertical Assembly

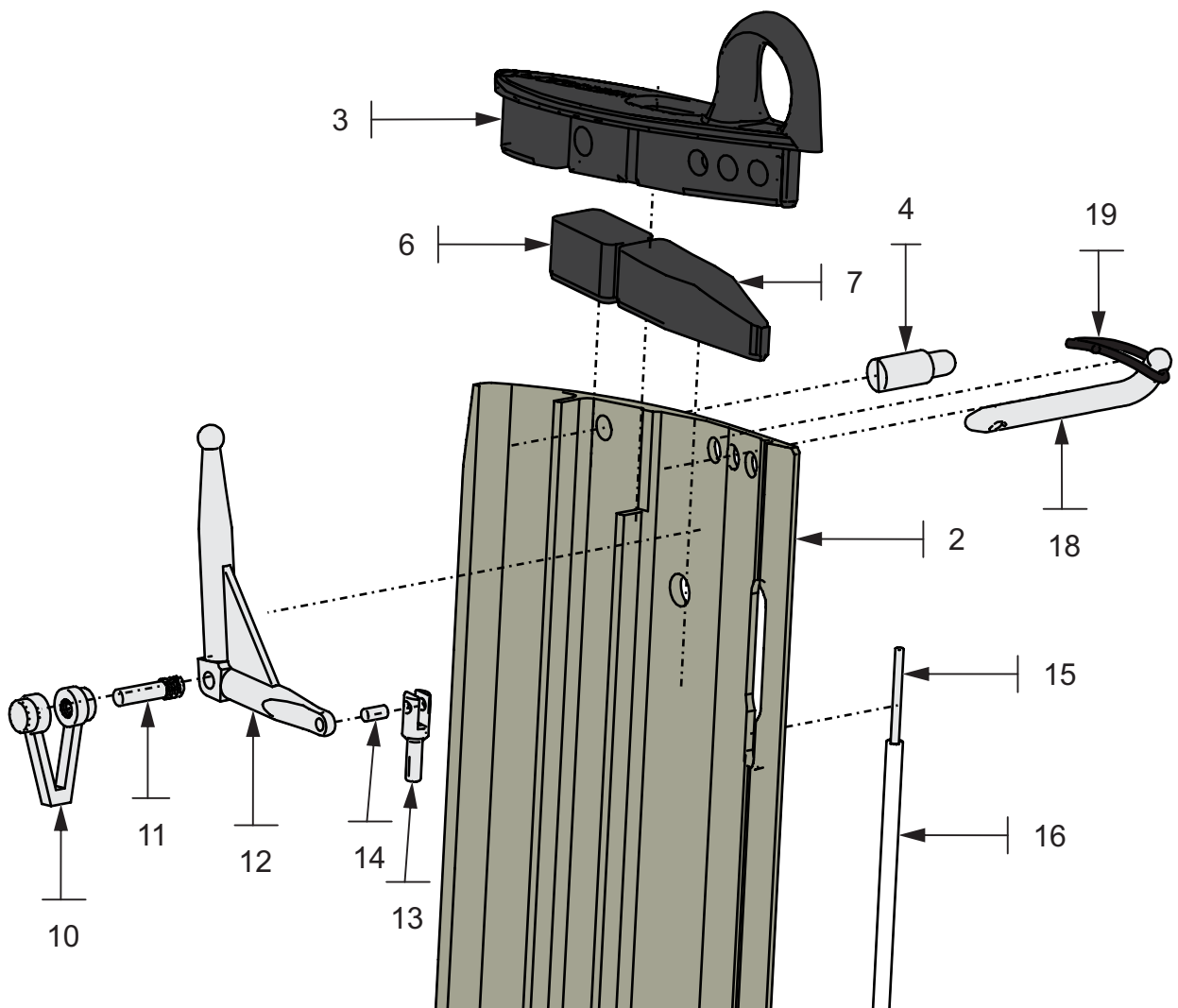
**FRONT VERTICAL TOP SECTION - ASSEMBLED
WZFFVX**



Cross Section shown for illustration purposes

Front Foil Vertical Assembly

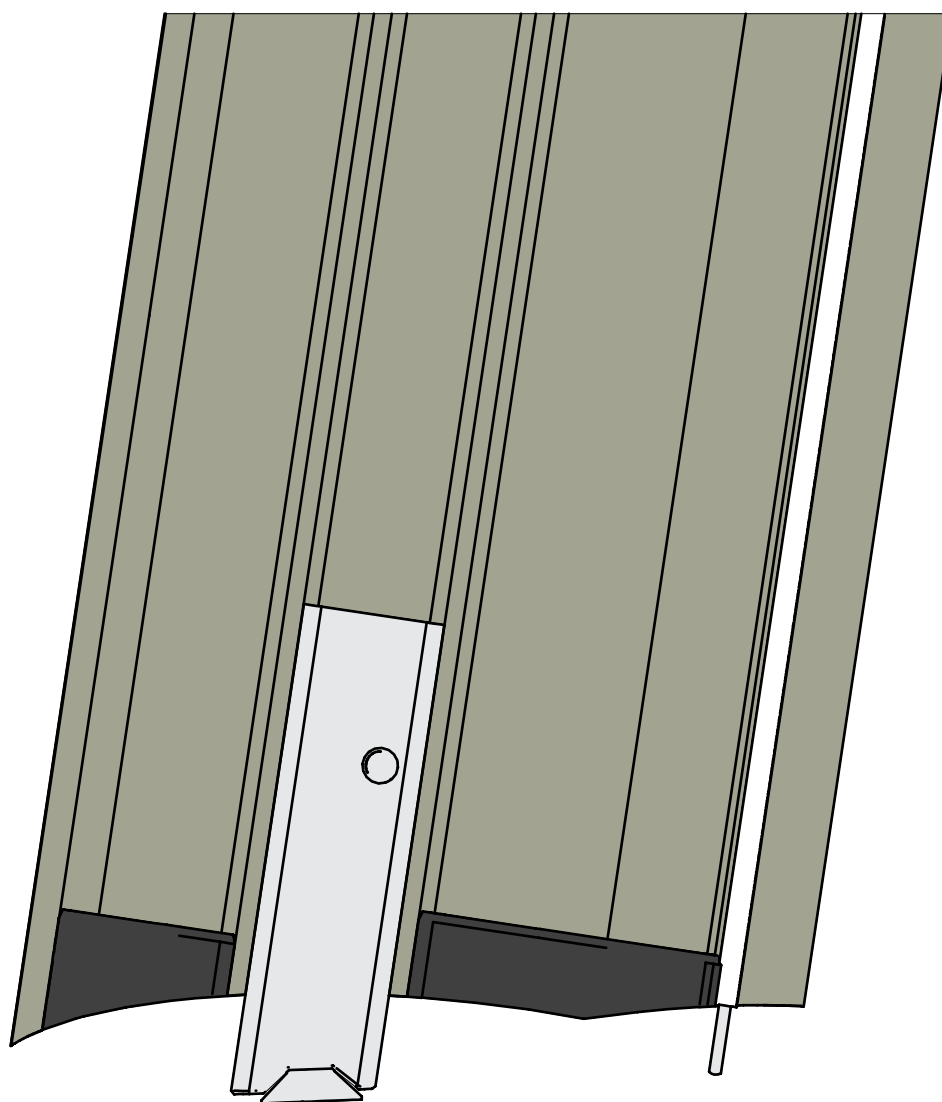
FRONT VERTICAL TOP SECTION - EXPLODED WZFFVX



Cross Section shown for illustration purposes

Front Foil Vertical Assembly

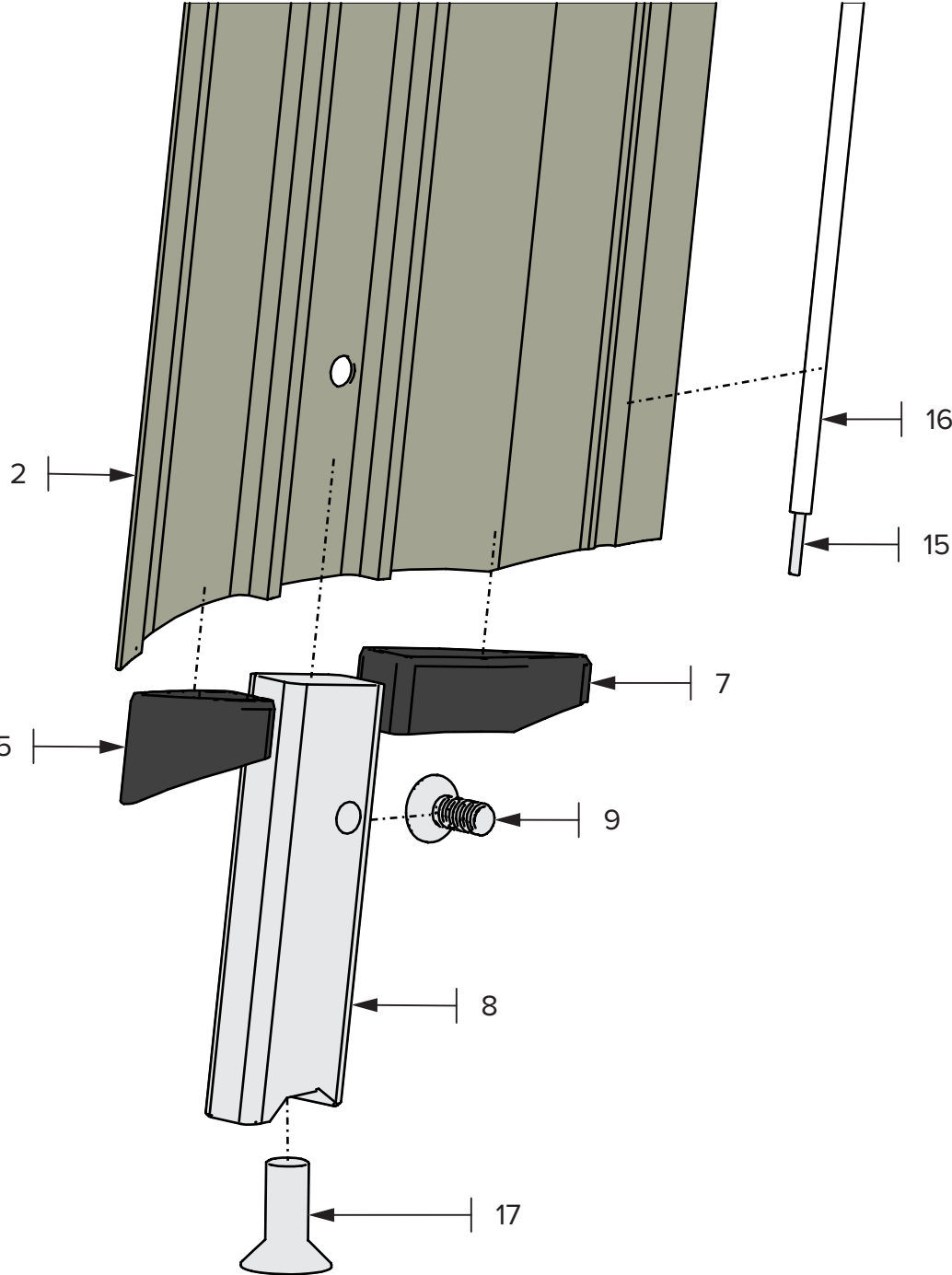
**FRONT VERTICAL BOTTOM SECTION - ASSEMBLED
WZFFVX**



Cross Section shown for illustration purposes

Front Foil Vertical Assembly

FRONT VERTICAL BOTTOM SECTION - EXPLODED WZFFVX



Cross Section shown for illustration purposes

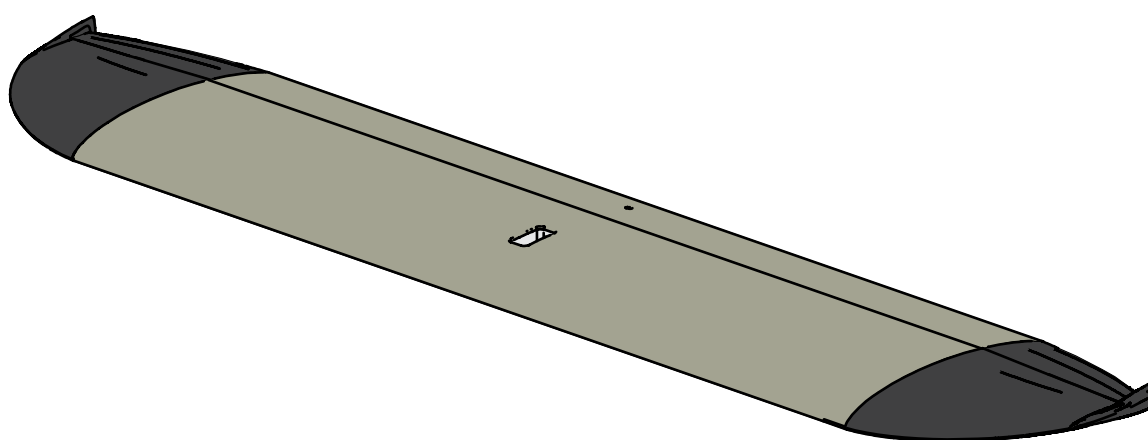


Page left intentionally blank

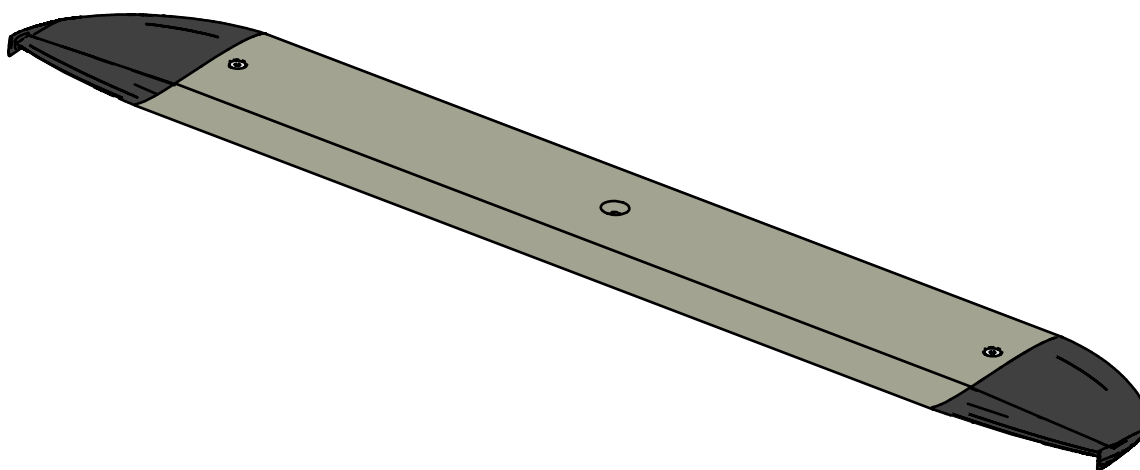
Front Foil Horizontal Assembly

Front Foil Horizontal Assembly

FRONT HORIZONTAL ASSEMBLY WZFFHX



TOP VIEW



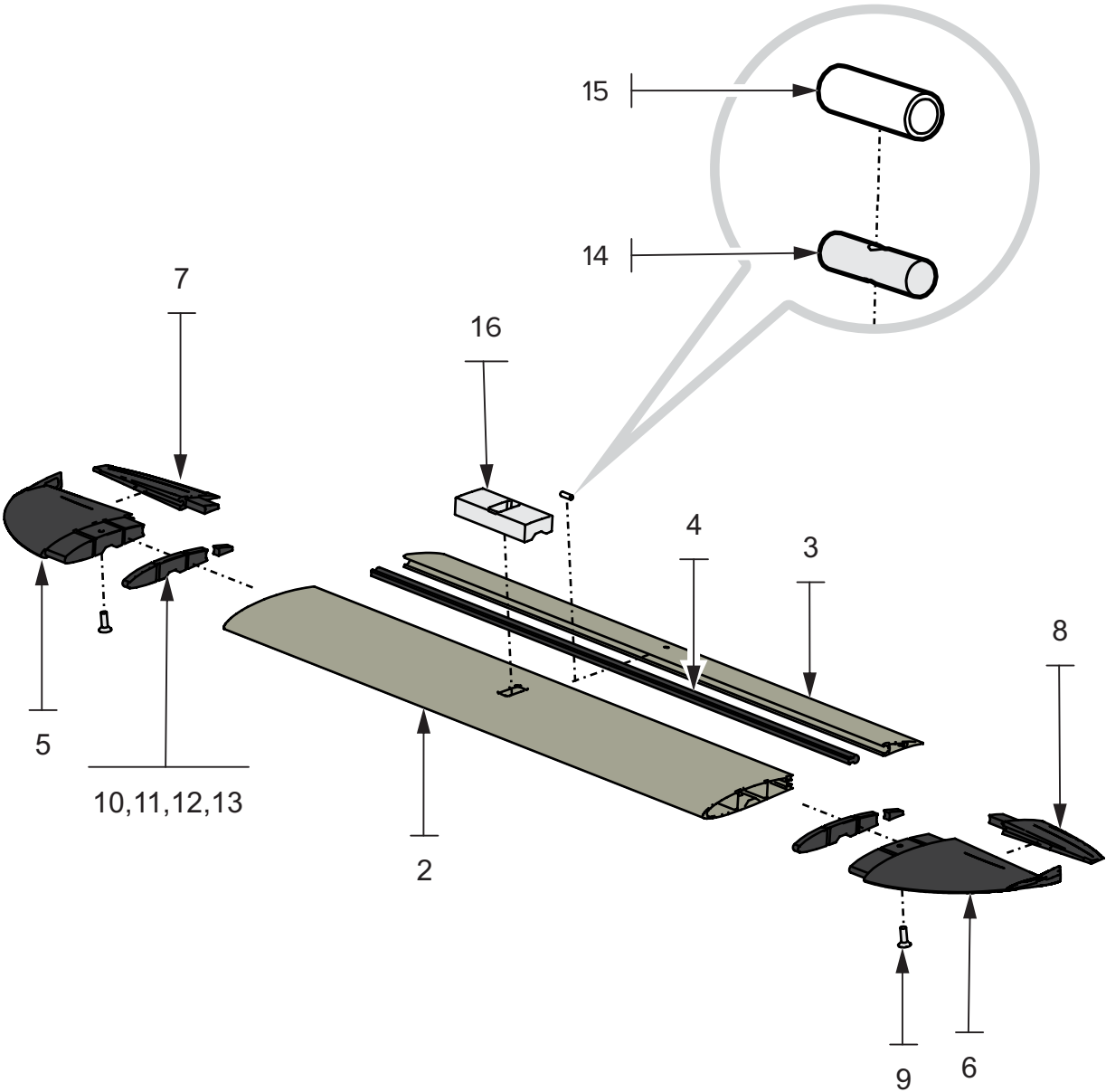
BOTTOM VIEW

Front Foil Horizontal Assembly

No.	Part no.	Description	Qty
1	WZFFHX	Front Foil Horizontal assembly	1
2	WZFFHM	Foil Front Horizontal main	1
3	WZFFHF	Foil Front Horizontal flap	1
4	WZFH	Foil Horizontal Hinge	618mm
5	WZFFHTMR	Foil Front Horizontal Tip Main Right	1
6	WZFFHTML	Foil Front Horizontal Tip Main Left	1
7	WZFFHTFR	Foil Front Horizontal Tip Flap Right	1
8	WZFFHTFL	Foil Front Horizontal Tip Flap Left	1
9	BO5x16CSA	M5x16mm C/Sunk Bolt Allen	2
10	WZFHC1	Foil Front Horizontal Plug	2
11	WZFHC2	Foil Front Horizontal Plug	2
12	WZFHC3	Foil Front Horizontal Plug	2
13	WZFHC4	Foil Front Horizontal Plug	2
14	WZFFHBN	Foil Horizontal barrel nut	1
15	WZFFPRT	Foil front push rod tube	25mm
16	WZFFCS	Foil Front Connector Horizontal socket	1
17	WZSFCFHS	Foil Cover Front Horizontal	1

Front Foil Horizontal Assembly

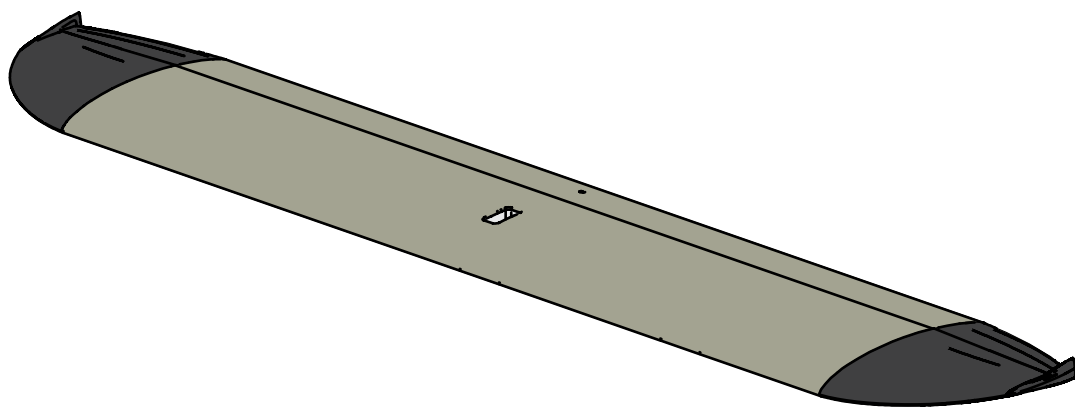
FRONT HORIZONTAL SECTION - EXPLODED
WZFFHX



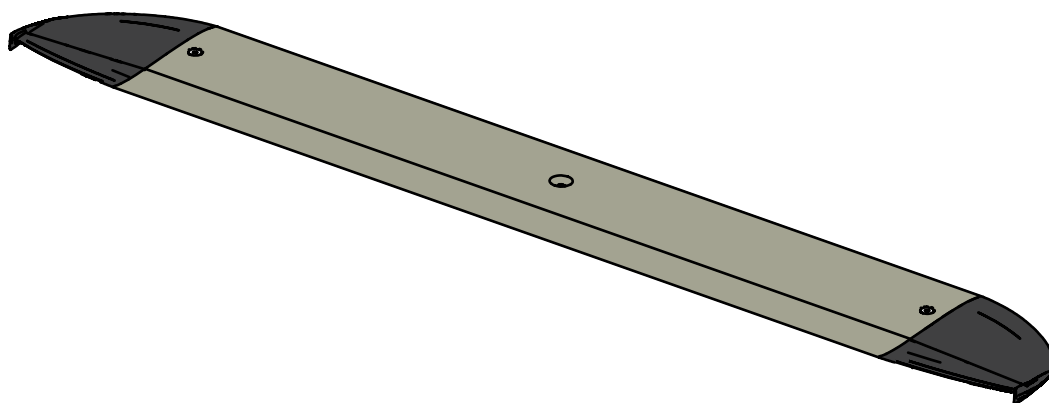
Cruiser Front Foil Horizontal Assembly

Cruiser Front Foil Horizontal Assembly

CRUISER FRONT FOIL HORIZONTAL ASSEMBLY WZFFHLX



TOP VIEW



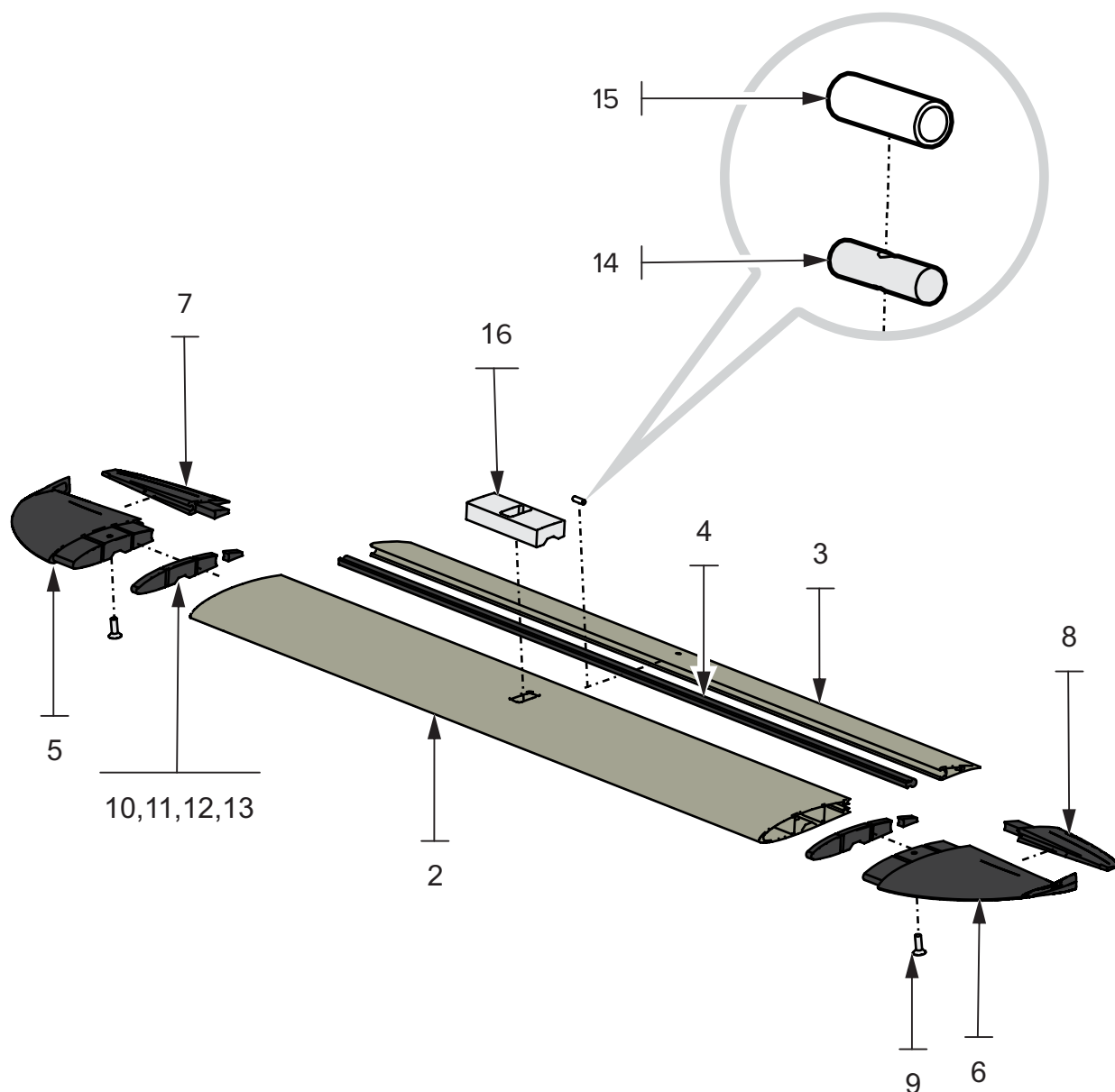
BOTTOM VIEW

Cruiser Front Foil Horizontal Assembly

No.	Part no.	Description	Qty
1	WZFFHLX	Cruiser Front Foil Horizontal Assembly	1
2	WZFFHML	Cruiser Front Foil Horizontal main	1
3	WZFFHFL	Cruiser Front Foil Horizontal flap	1
4	WZFHHL	Foil Horizontal Hinge	728mm
5	WZFFHTMR	Foil Front Horizontal Tip Main Right	1
6	WZFFHTML	Foil Front Horizontal Tip Main Left	1
7	WZFFHTFR	Foil Front Horizontal Tip Flap Right	1
8	WZFFHTFL	Foil Front Horizontal Tip Flap Left	1
9	BO5x16CSA	M5x16mm C/Sunk Bolt Allen	2
10	WZFHC1	Foil Front Horizontal Plug	2
11	WZFHC2	Foil Front Horizontal Plug	2
12	WZFHC3	Foil Front Horizontal Plug	2
13	WZFHC4	Foil Front Horizontal Plug	2
14	WZFFHBN	Foil Horizontal barrel nut	1
15	WZFFPRT	Foil front push rod tube	25mm
16	WZFFCS	Foil Front Connector Horizontal socket	1
17	WZSFCFHL	Foil Cover Front Horizontal Cruiser	1

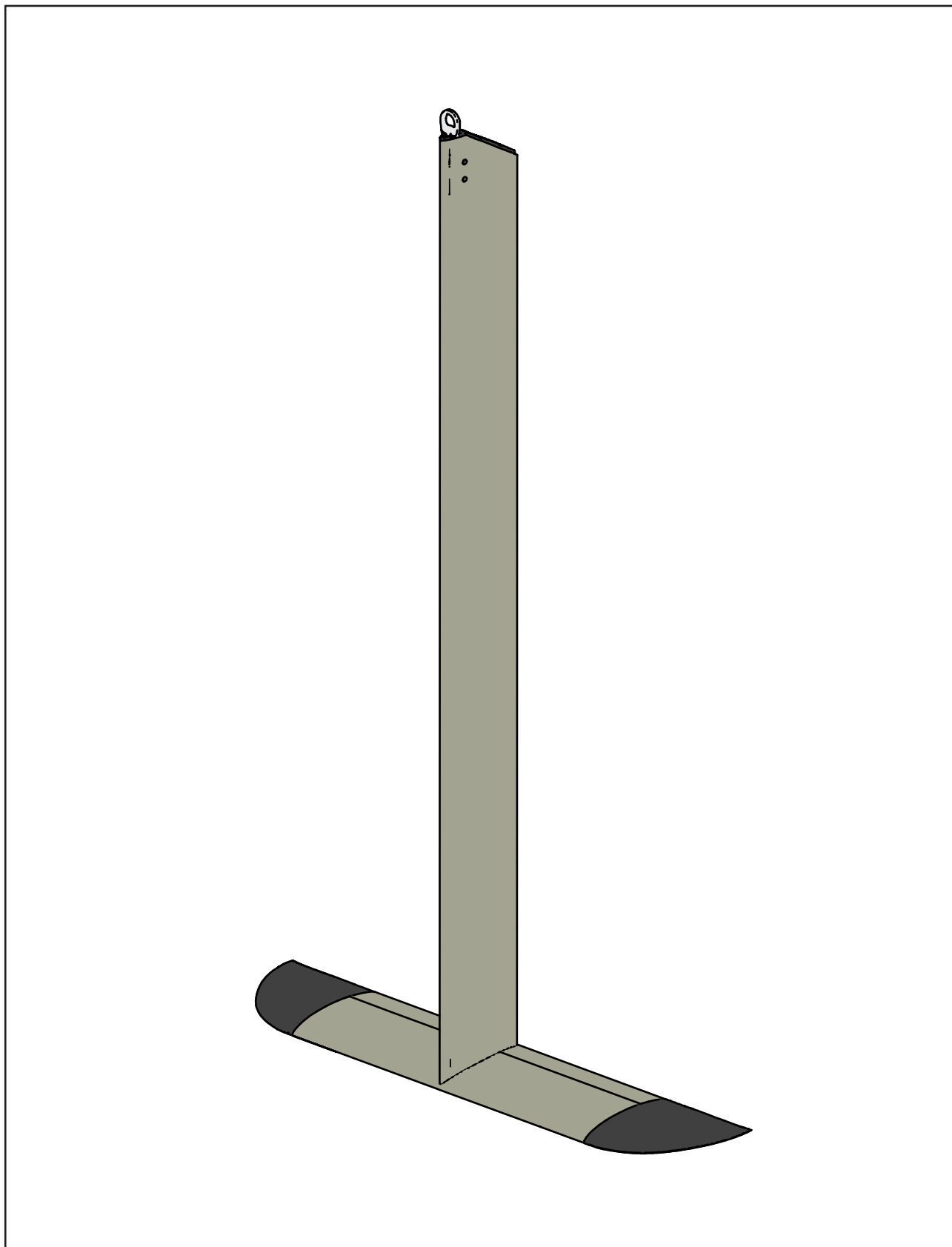
Cruiser Front Foil Horizontal Assembly

CRUISER FRONT FOIL HORIZONTAL ASSEMBLY - EXPLODED WZFFHLX



Rear Foil Assembly

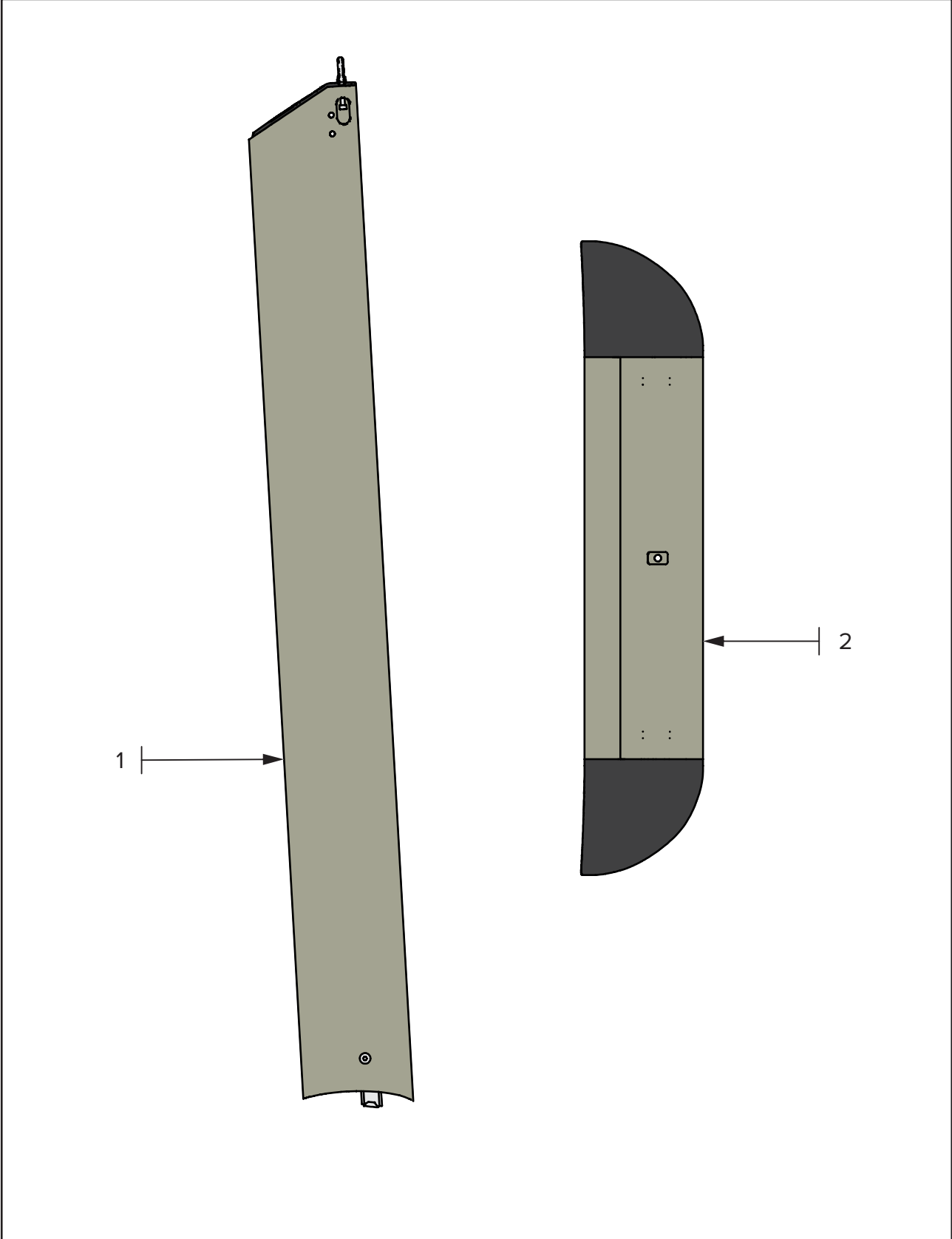
Rear Foil Assembly



Rear Foil Assembly

No.	Part no.	Description	Qty
1	WZFRVX	Rear foil vertical assembly	1
2	WZFRHX	Rear foil horizontal assembly	1

Rear Foil Assembly



Rear Foil Vertical Assembly

Rear Foil Vertical Assembly

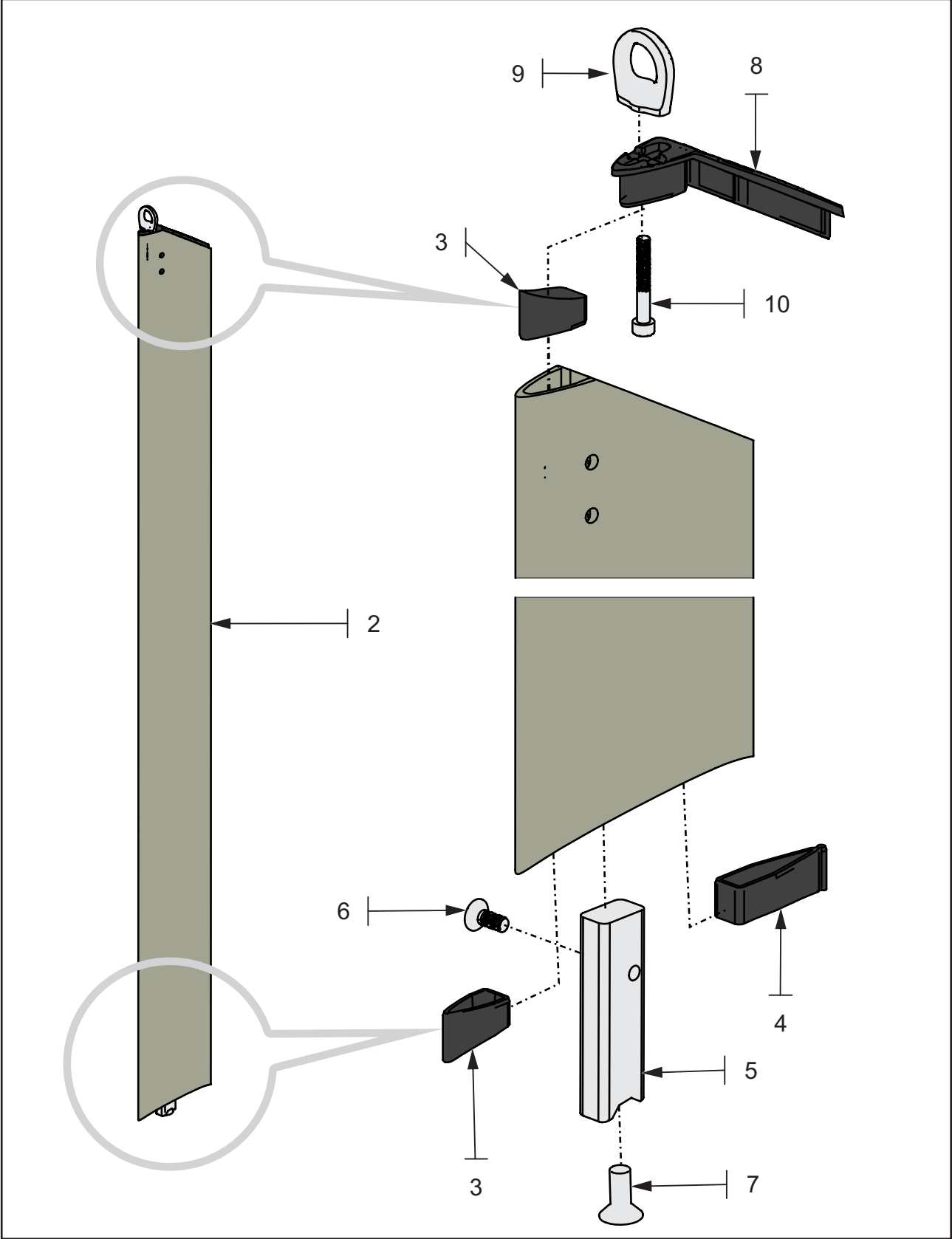
REAR FOIL VERTICAL ASSEMBLY
WZFRVX



Rear Foil Vertical Assembly

No.	Part no.	Description	Qty
1	WZFRVX	Rear foil vertical assembly	1
2	WZFRV	Rear foil vertical	1
3	WZFRVPF	Rear foil vertical plug front	2
4	WZFRVPR	Rear foil vertical plug rear	1
5	WZFRCP	Rear foil vertical connector plug	1
6	BO6x15CSA	M6x15mm C/sunk Bolt Allen	1
7	WZFB	Foil Connector Bolt (M8x1.0 MOD)	2
8	WZFRVC	Foil rear vertical cap	1
9	WZFRVCR	Foil rear vertical cap pull-ring	1
10	BO5x25SH	M5x25mm Cap Bolt Full Thread	1
11	WZSFCRV	Foil Cover Rear Vertical	1

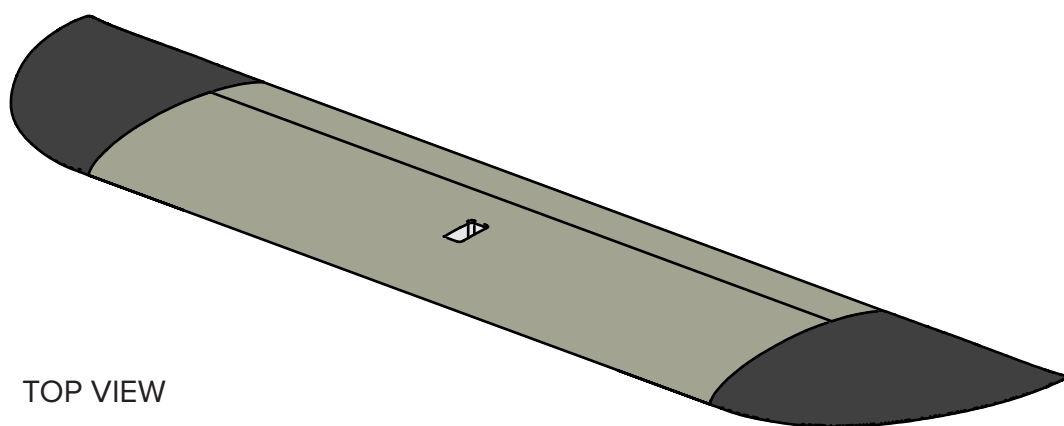
Rear Foil Vertical Assembly



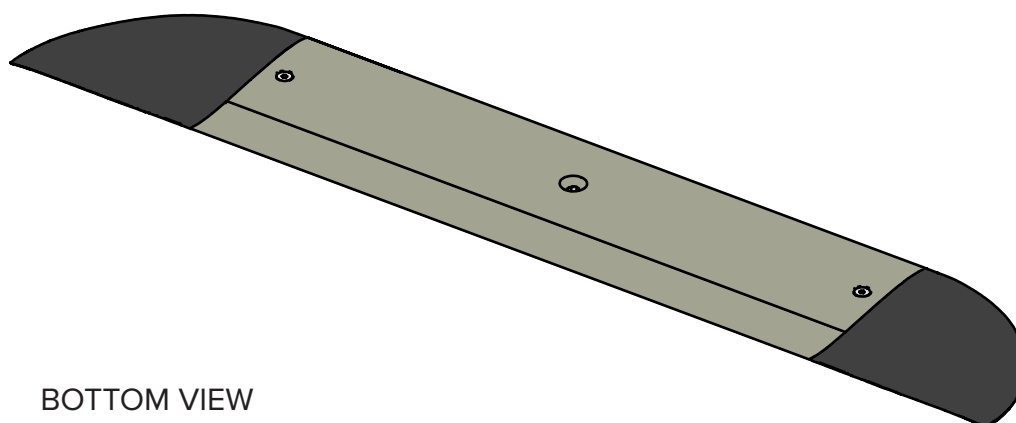
Rear Foil Horizontal Assembly

Rear Foil Horizontal Assembly

REAR FOIL HORIZONTAL ASSEMBLY WZFRHX



TOP VIEW



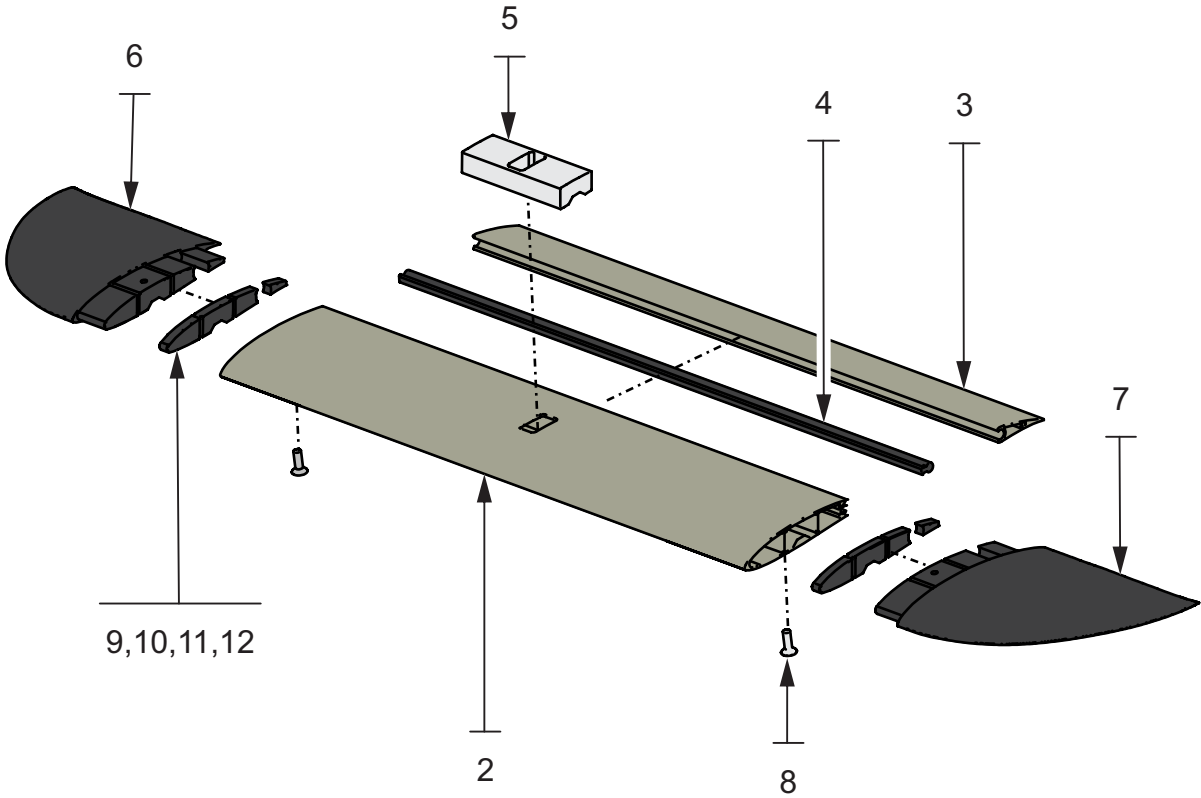
BOTTOM VIEW

Rear Foil Horizontal Assembly

No.	Part no.	Description	Qty
1	WZFRHX	Rear foil horizontal assembly	1
2	WZFRHM	Foil Rear Horizontal main	1
3	WZFRHF	Foil Rear Horizontal flap	1
4	WZFHHS	Foil Horizontal Hinge	0.42m
5	WZFRCS	Rear Foil Connector Horizontal socket	1
6	WZFRHTR	Foil Rear Horizontal Tip Right	1
7	WZFRHTL	Foil Rear Horizontal Tip Left	1
8	BO5x16CSA	M5x16mm C/Sunk Bolt Allen	2
9	WZFHFC1	Rear Horizontal Foil Plug 1	2
10	WZFHFC2	Rear Horizontal Foil Plug 2	2
11	WZFHFC3	Rear Horizontal Foil Plug 3	2
12	WZFHFC5	Rear Horizontal Foil Plug 5	2
13	WZSFCRH	Foil Cover Rear Horizontal	1

Rear Foil Horizontal Assembly

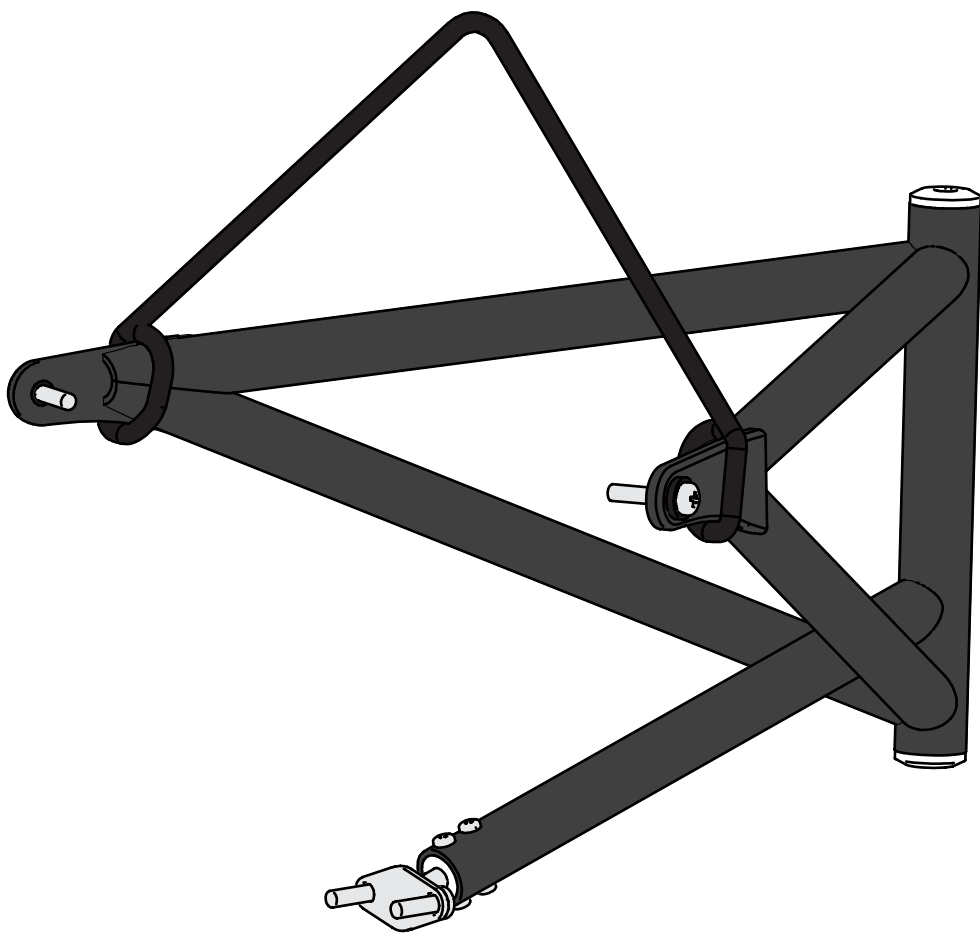
REAR FOIL HORIZONTAL ASSEMBLY WZFRHX



Gantry Assembly

Gantry Assembly

**GANTRY ASSEMBLY
WZGX**

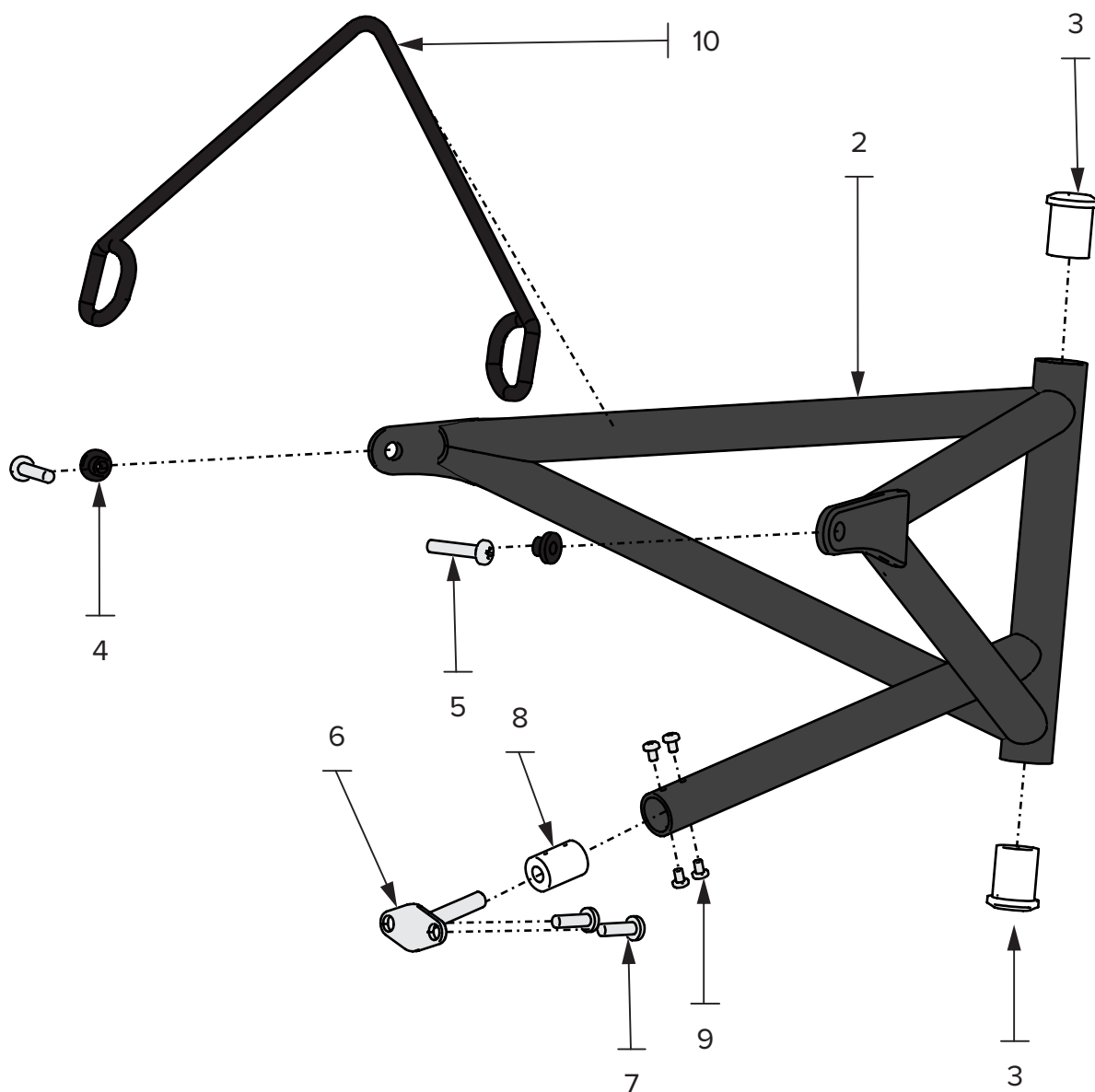


Gantry Assembly

No.	Part no.	Description	Qty
1	WZGX	Gantry assembly	1
2	WZGWX	Gantry	1
3	WZGBC	Gantry bush centered	2
4	WZGW	Gantry Washer	2
5	BO6x30RHP	M6x30mm Round Head Bolt Phillips	2
6	WZGA	Gantry Adjuster	1
7	BO6x20RHA	M6x20mm Round Head Bolt Allen	2
8	WZGAI	Gantry Adjuster Insert	1
9	BO4x6RHP	M4x6mm Round Head Bolt Phillips	4
10	ROS8	Bungee 8mm Black	0.75m

Gantry Assembly

GANTRY ASSEMBLY WZGX



Rudder Box Assembly ***with Tiller and Extension***

Rudder Box Assembly with Tiller and Extension

**RUDDER BOX ASSEMBLY WITH TILLER AND EXTENSION
WZTX**

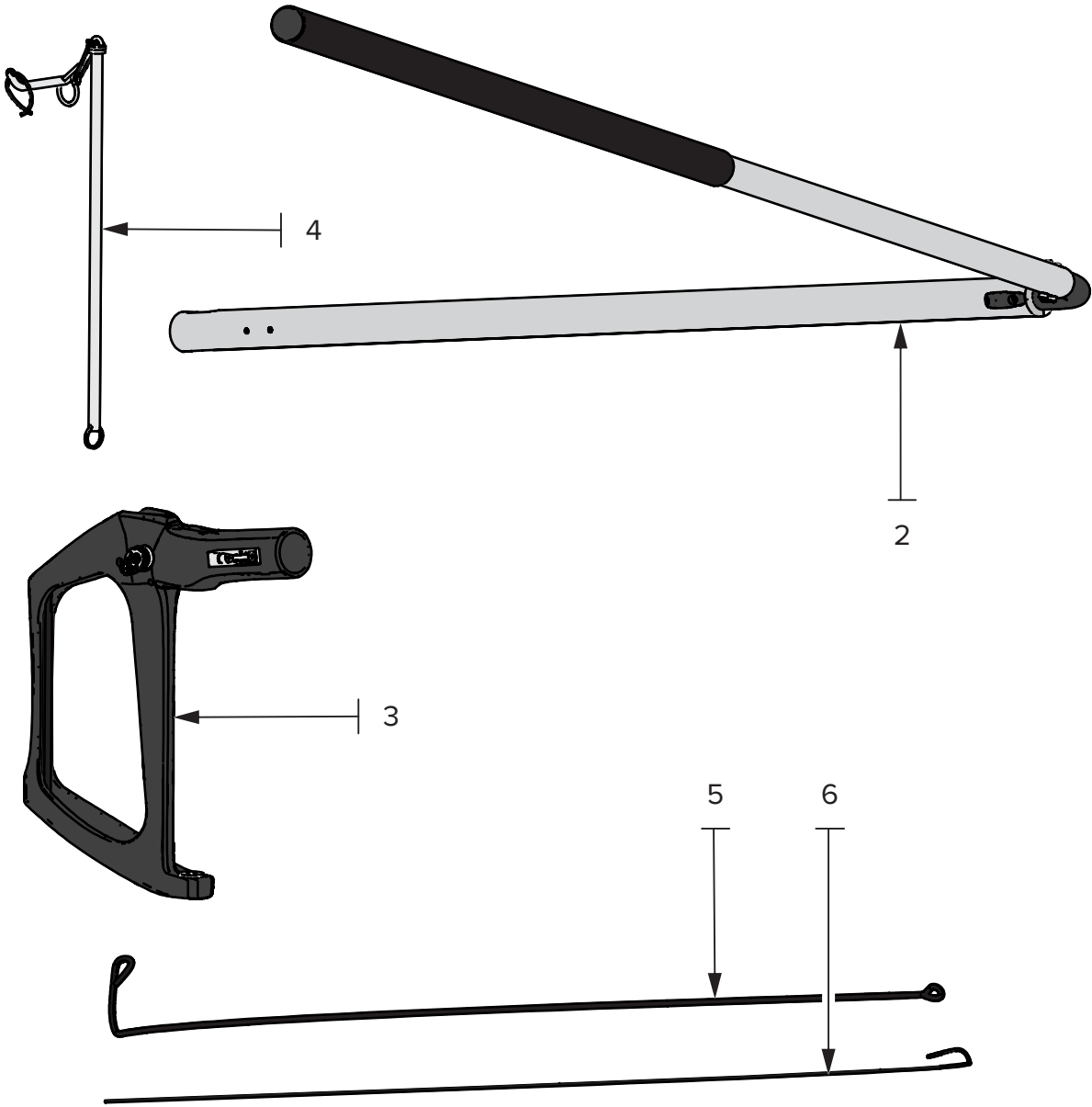


Rudder Box Assembly with Tiller and Extension

No.	Part no.	Description	Qty
1	WZTX	Rudder Box assembly with Tiller & Extension	1
2	WZTTX	Tiller assembly with Extension	1
3	WZTRBXF	Rudder box assembly with cleat and pulley	1
4	WZTRP	Rudder pin with ring	1
5	ROCL4K	Control Rope DPT-3.5BLK Black	1.35m
6	ROS2	Bungee 2mm Black	1.2m

Rudder Box Assembly with Tiller and Extension

RUDDER BOX ASSEMBLY WITH TILLER AND EXTENSION WZTX



Tiller Assembly

with Extension

Tiller Assembly with Extension

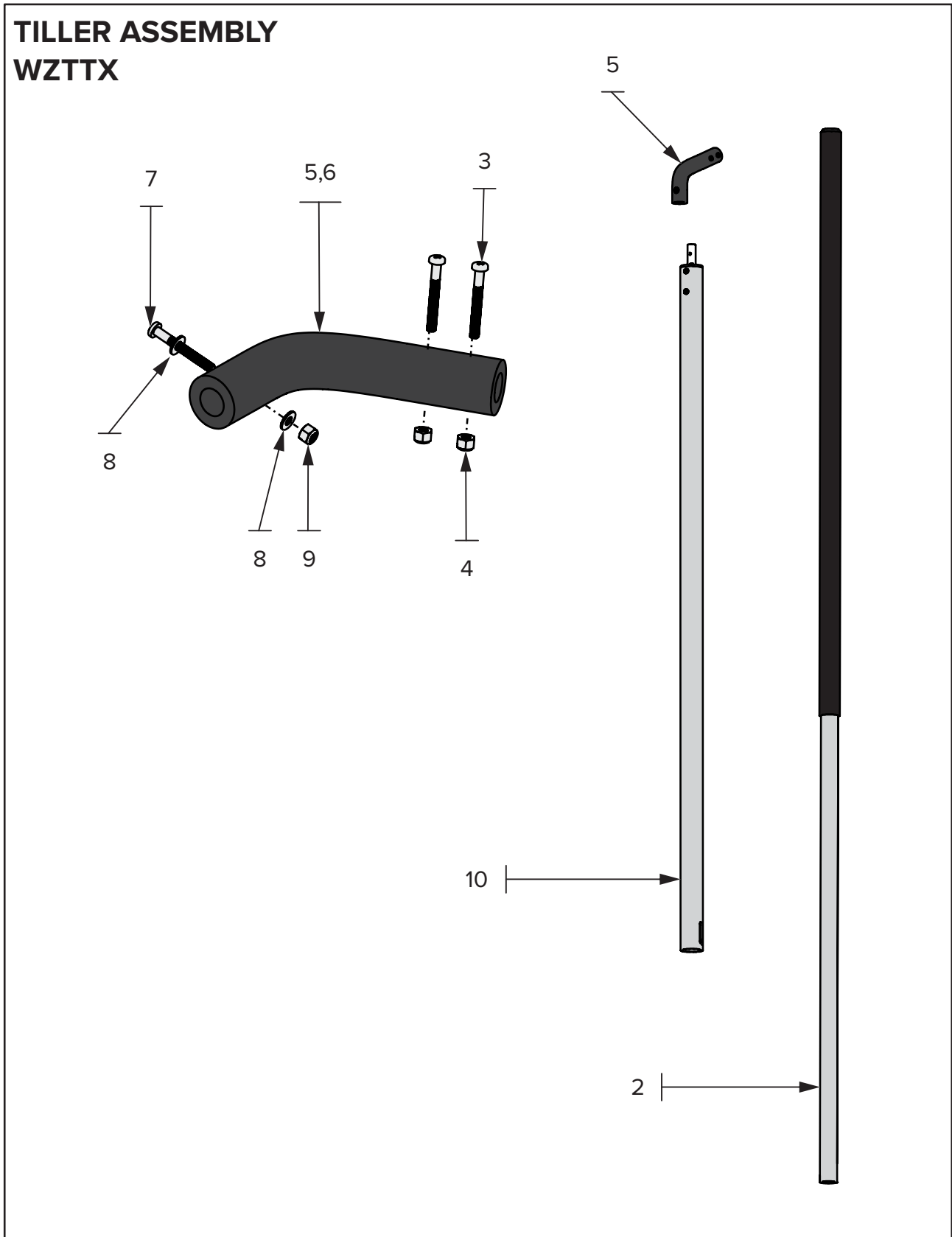
**TILLER ASSEMBLY
WZTTX**



Tiller Assembly with Extension

No.	Part no.	Description	Qty
1	WZTTX	Tiller assembly with Extension	1
2	WZTEX	Tiller Extension with Grip	1
3	BO3x25RHP	M3x25mm Round Head Bolt Phillips	2
4	BO3LN	M3 Lock Nut	2
5	M2TFJ	Tiller Flexible joint	1
6	M2TFJI	Tiller Flexible joint inner	1
7	BO3x25RHP	M3x25mm Round Head Bolt Phillips	1
8	BO3W	M3 Washer	2
9	BO3LN	M3 Lock Nut	1
10	WZTAX	Tiller assembly without Extension	1

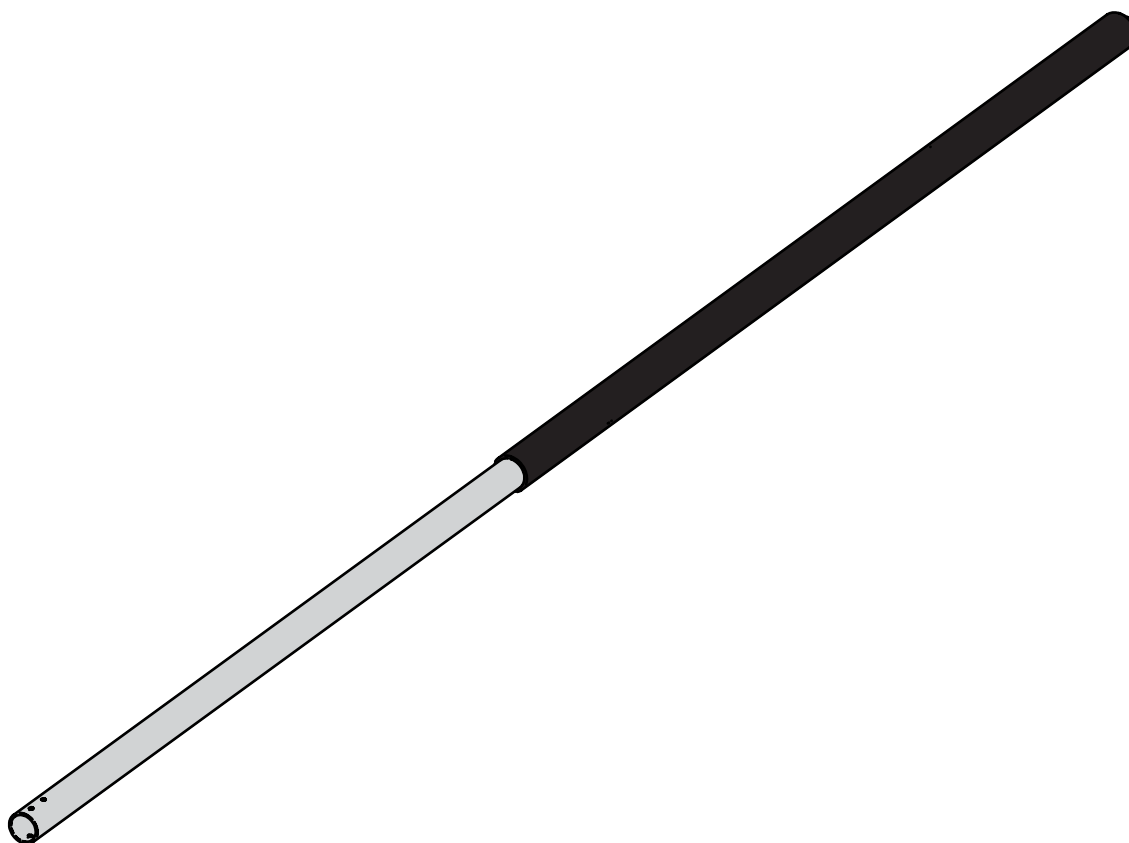
Tiller Assembly with Extension



Tiller Extension with Grip

Tiller Extension with Grip

**TILLER EXTENSION WITH GRIP
WZTEX**

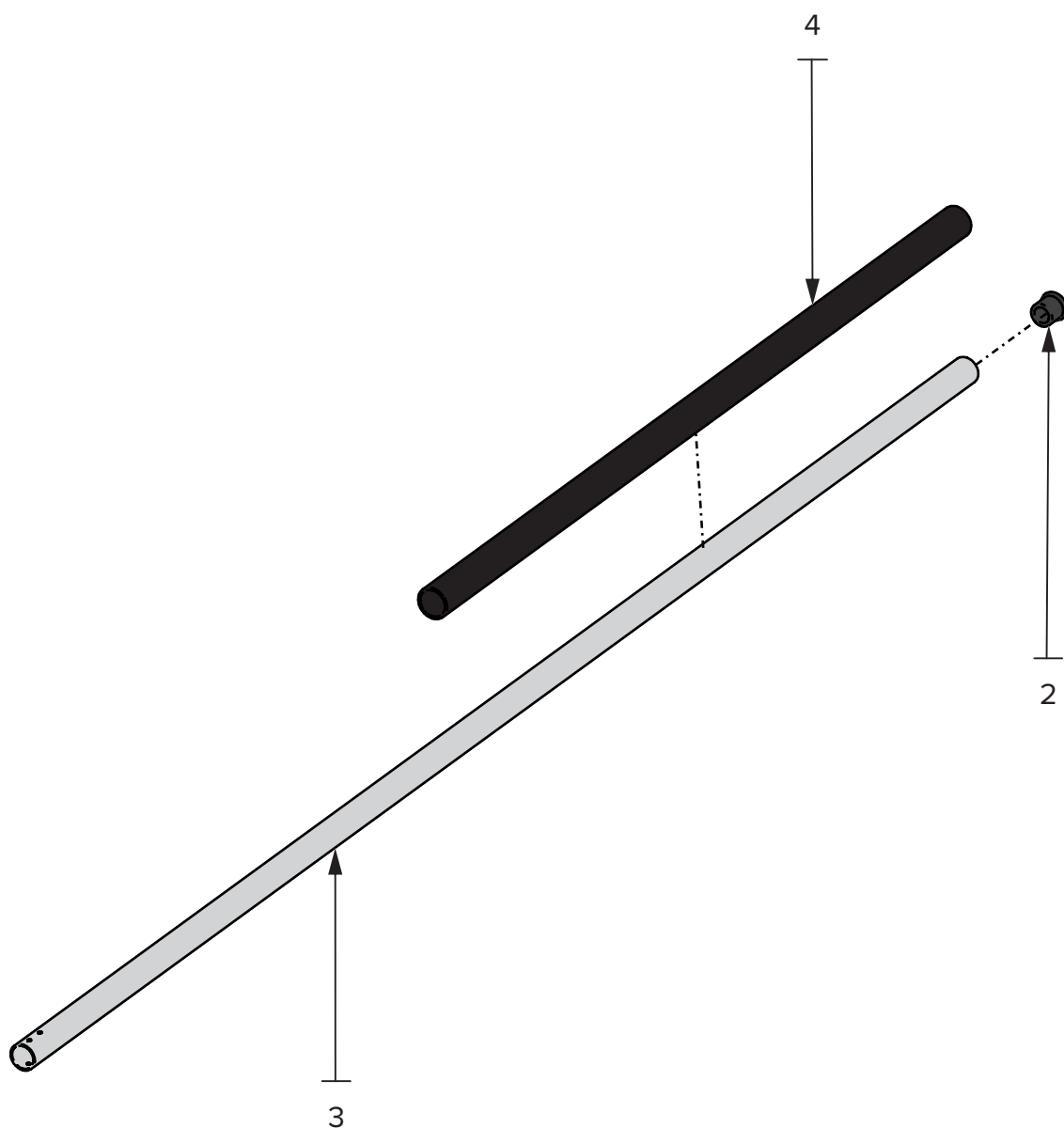


Tiller Extension with Grip

No.	Part no.	Description	Qty
1	WZTEX	Tiller Extension with Grip	1
2	WZTEC	Tiller extension end cap	1
3	WZTE	Tiller extension tube	1
4	BMGRIP	Tiller extension tube grip	1

Tiller Extension with Grip

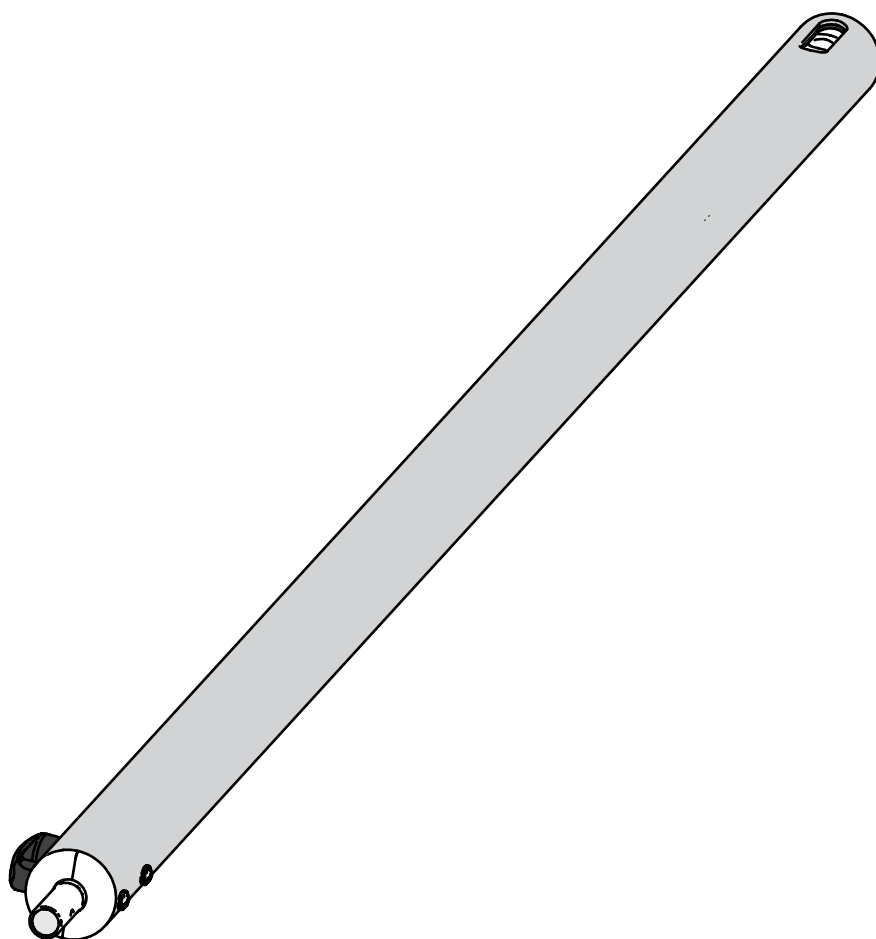
TILLER EXTENSION WITH GRIP WZTEX



Tiller Assembly w/o Extension

Tiller Assembly w/o Extension

**TILLER ASSEMBLY WITHOUT EXTENSION
WZTAX**

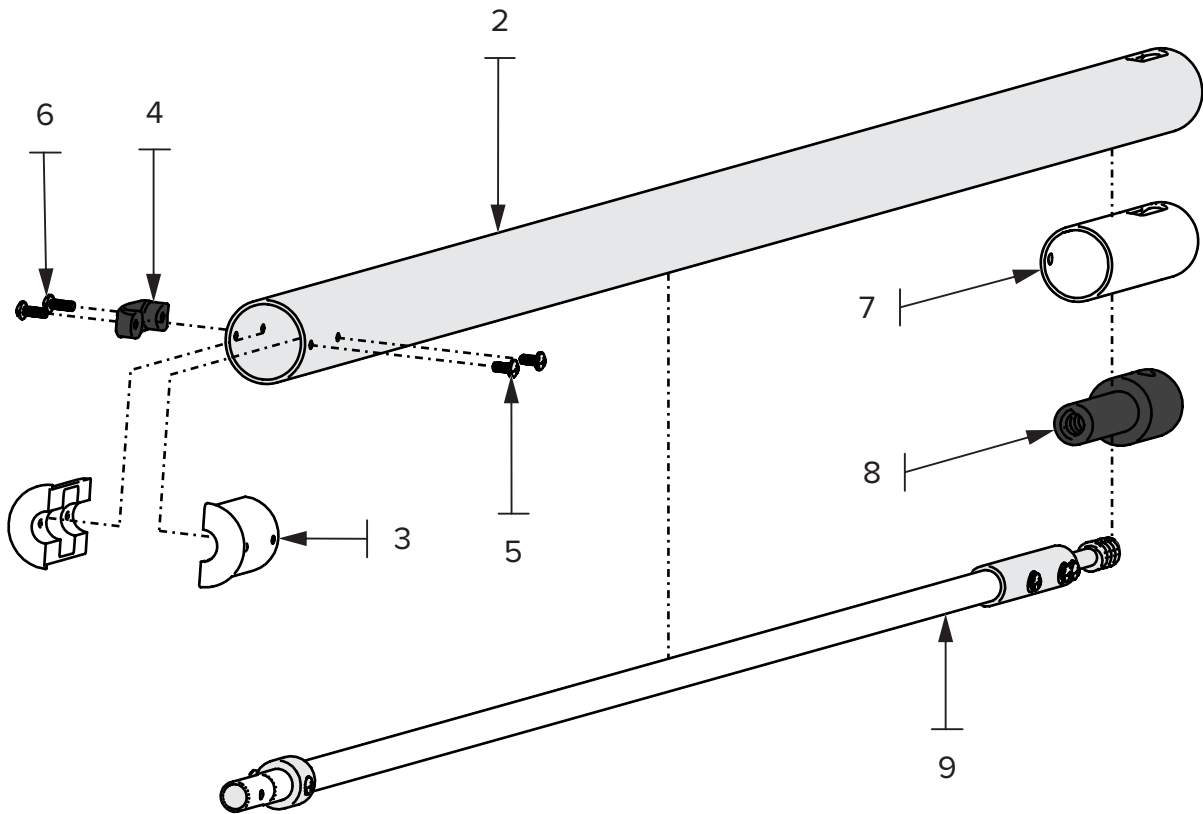


Tiller Assembly w/o Extension

No.	Part no.	Description	Qty
1	WZTAX	Tiller assembly without Extension	1
2	WZTT	Tiller tube	1
3	WZTTB	Tiller tube bush	2
4	WZTTS	Tiller tube saddle	1
5	BO3x6RHP	M3x6mm Round Head Bolt Phillips	2
6	BO3x8RHP	M3x8mm Round Head Bolt Phillips	2
7	WZTSGS	Tiller Sliding Gudgeon Sleeve	1
8	WZTSG	Sliding gudgeon	1
9	WZTMX	Tiller Mechanism Assembly	1

Tiller Assembly w/o Extension

TILLER ASSEMBLY WITHOUT EXTENSION WZTAX

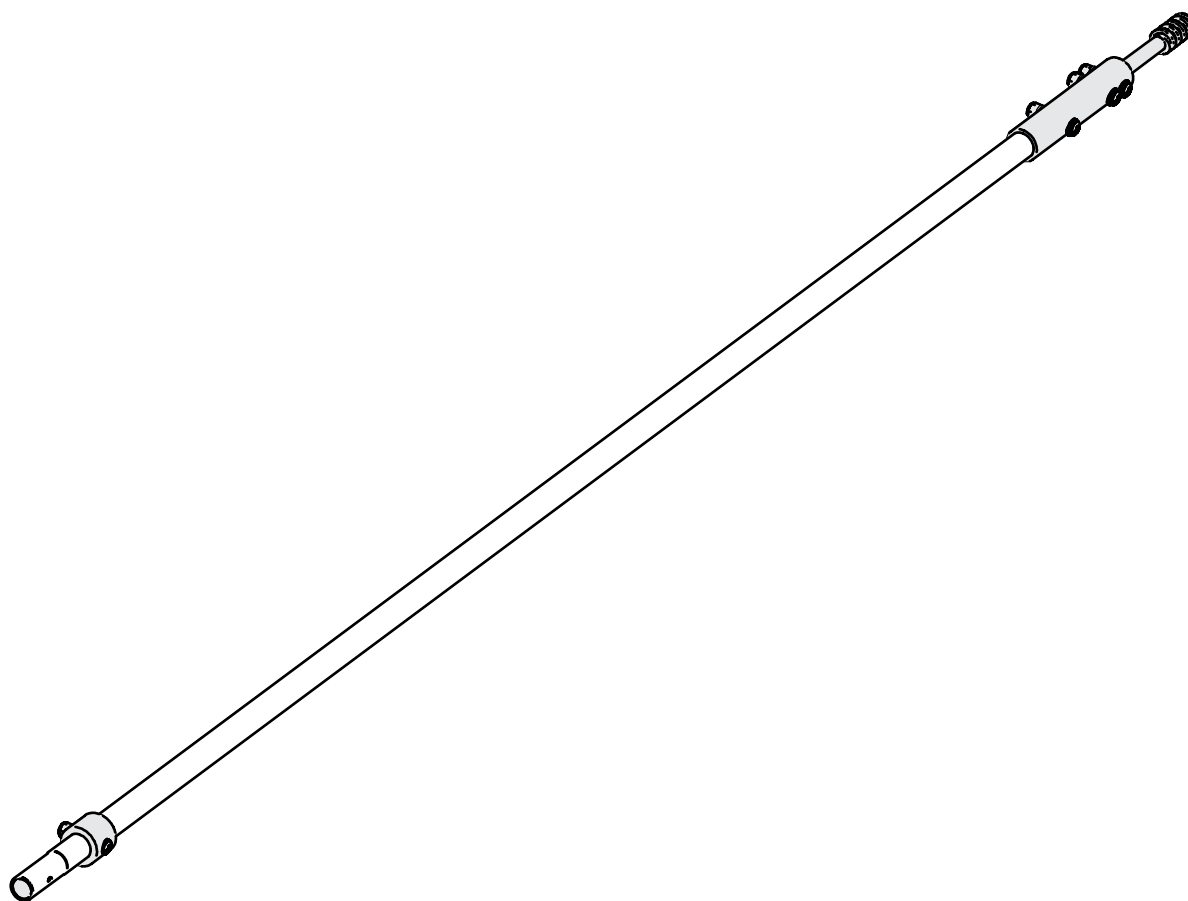


Tiller Mechanism

Assembly

Tiller Mechanism Assembly

**TILLER MECHANISM ASSEMBLY
WZTMX**

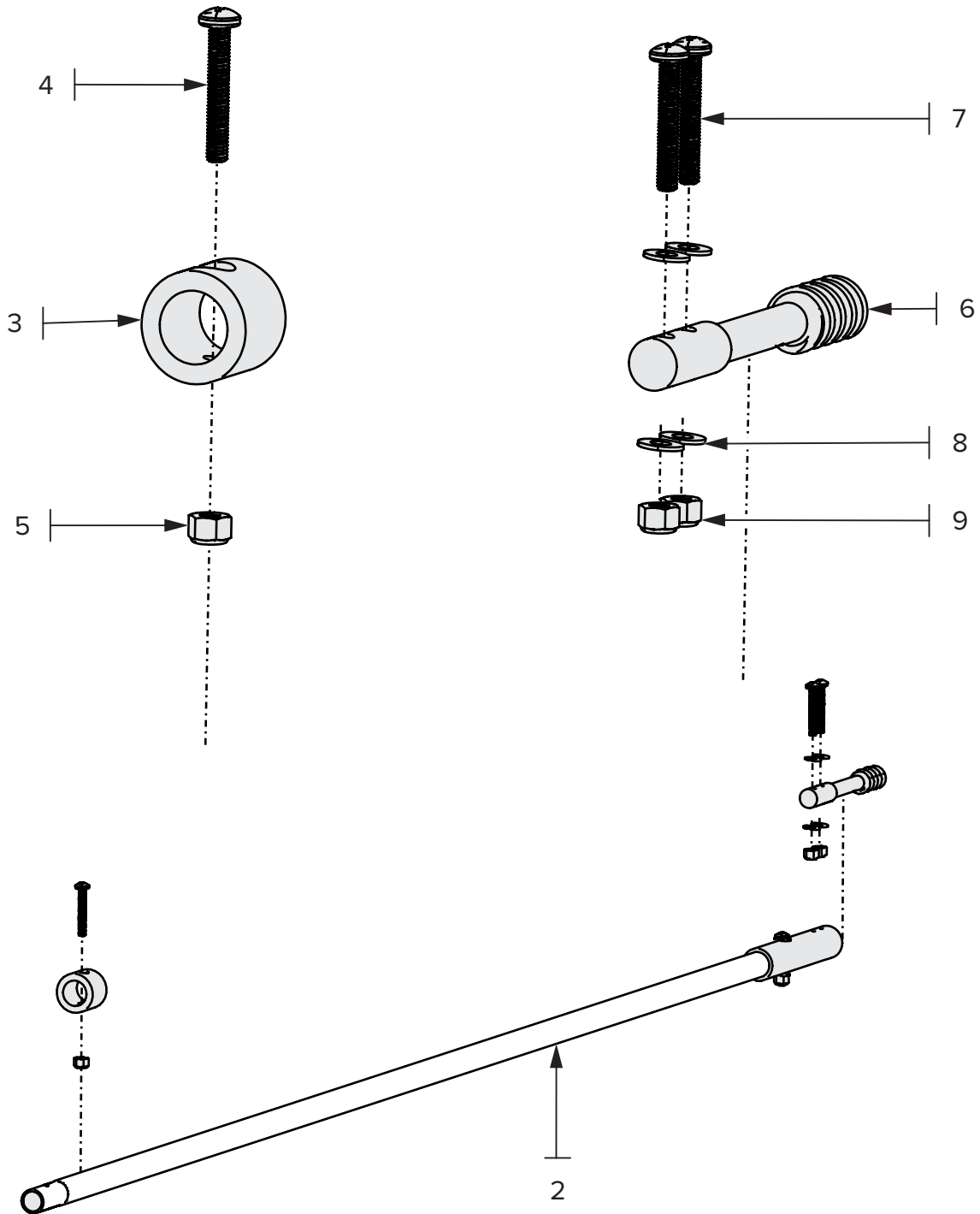


Tiller Mechanism Assembly

No.	Part no.	Description	Qty
1	WZTMX	Tiller Mechanism Assembly	1
2	WZTITX	Tiller Internal Tube	1
3	WZTTBS	Tiller tube bush stopper	1
4	BO3x20RHP	M3x20mm Round Head Bolt Phillips	1
5	BO3LN	M3 Lock Nut	1
6	BRTSGS	Sliding gudgeon Screw	1
7	BO3x20RHP	M3x20mm Round Head Bolt Phillips	2
8	BO3W	M3 Washer	4
9	BO3LN	M3 Lock Nut	2

Tiller Mechanism Assembly

TILLER MECHANISM ASSEMBLY WZTMX



Rudder Box Assembly with cleat and pulley

Rudder Box Assembly with cleat and pulley

**RUDDER BOX ASSEMBLY WITH CLEAT AND PULLEY
WZTRBXF**

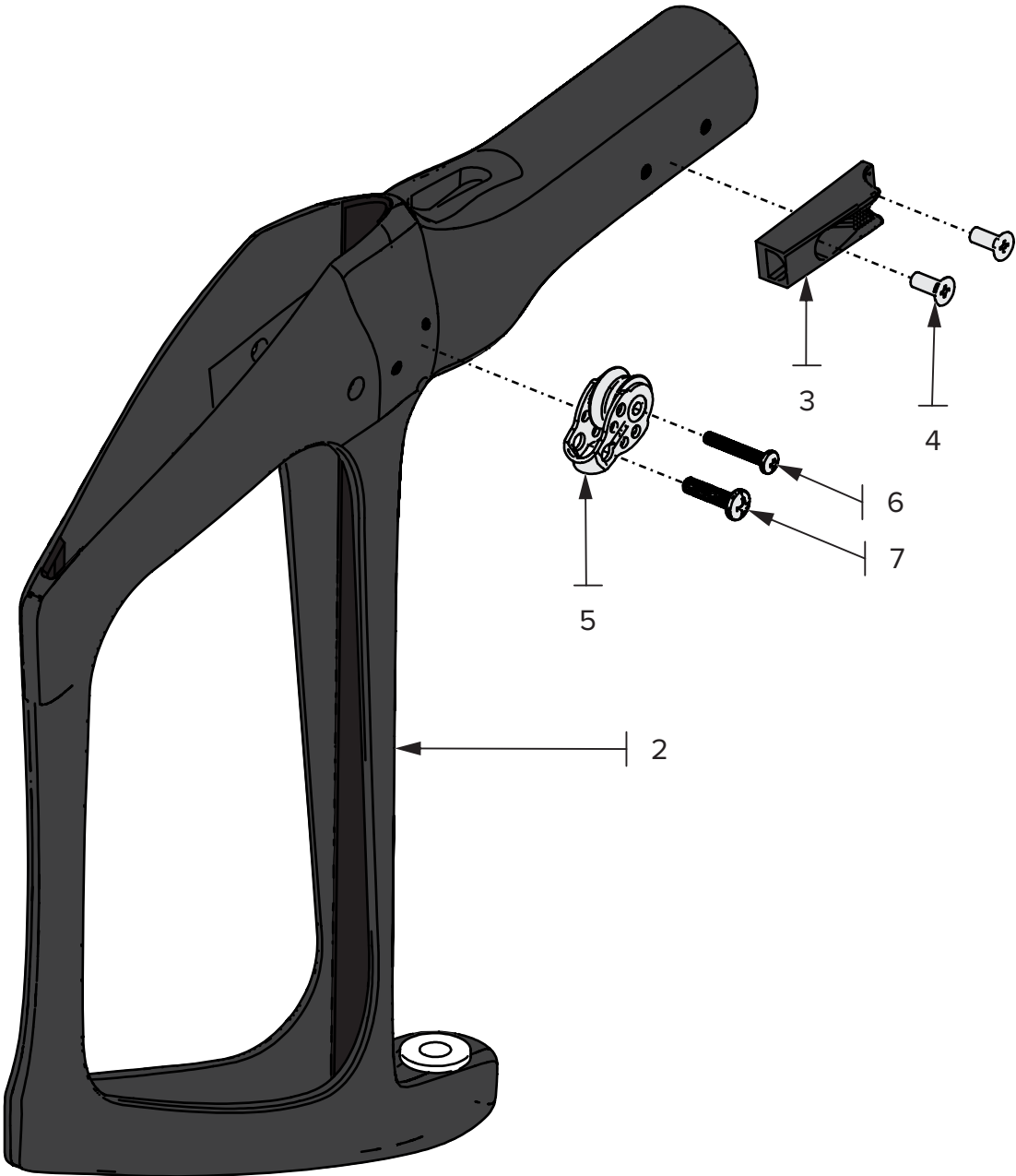


Rudder Box Assembly with cleat and pulley

No.	Part no.	Description	Qty
1	WZTRBXF	Rudder box assembly with cleat and pulley	1
2	WZTRBX	Rudder box assembly	1
3	RFCL268AN	Racing Micro Clamcleat	1
4	BO4x10CSP	M4x10mm Countersunk Bolt Phillips	2
5	HK404	Harken 16mm single block	1
6	BO3x20RHP	M3x20mm Round Head Bolt Phillips	1
7	BO4x16RHP	M4x16mm Round Head Bolt Phillips	1

Rudder Box Assembly with cleat and pulley

RUDDER BOX ASSEMBLY WITH CLEAT AND PULLEY WZTRBXF



Rudder Box Assembly

Rudder Box Assembly

**RUDDER BOX ASSEMBLY
WZTRBX**

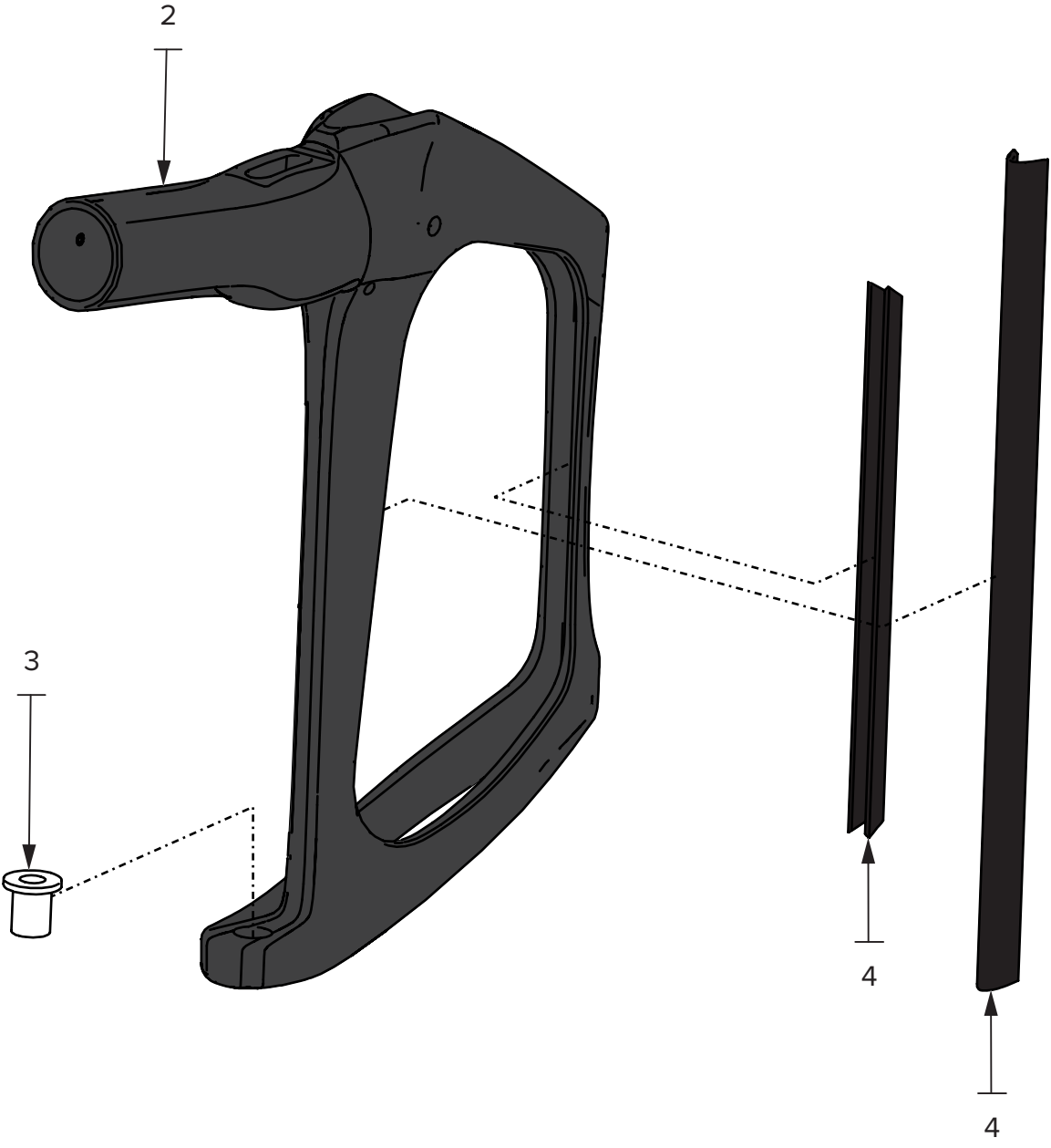


Rudder Box Assembly

No.	Part no.	Description	Qty
1	WZTRBX	Rudder box assembly	1
2	WZTRB	Rudder box	1
3	WZTRBB	Rudder box bush	1
4	WZTRBW	Rudder box webbing	0.5m

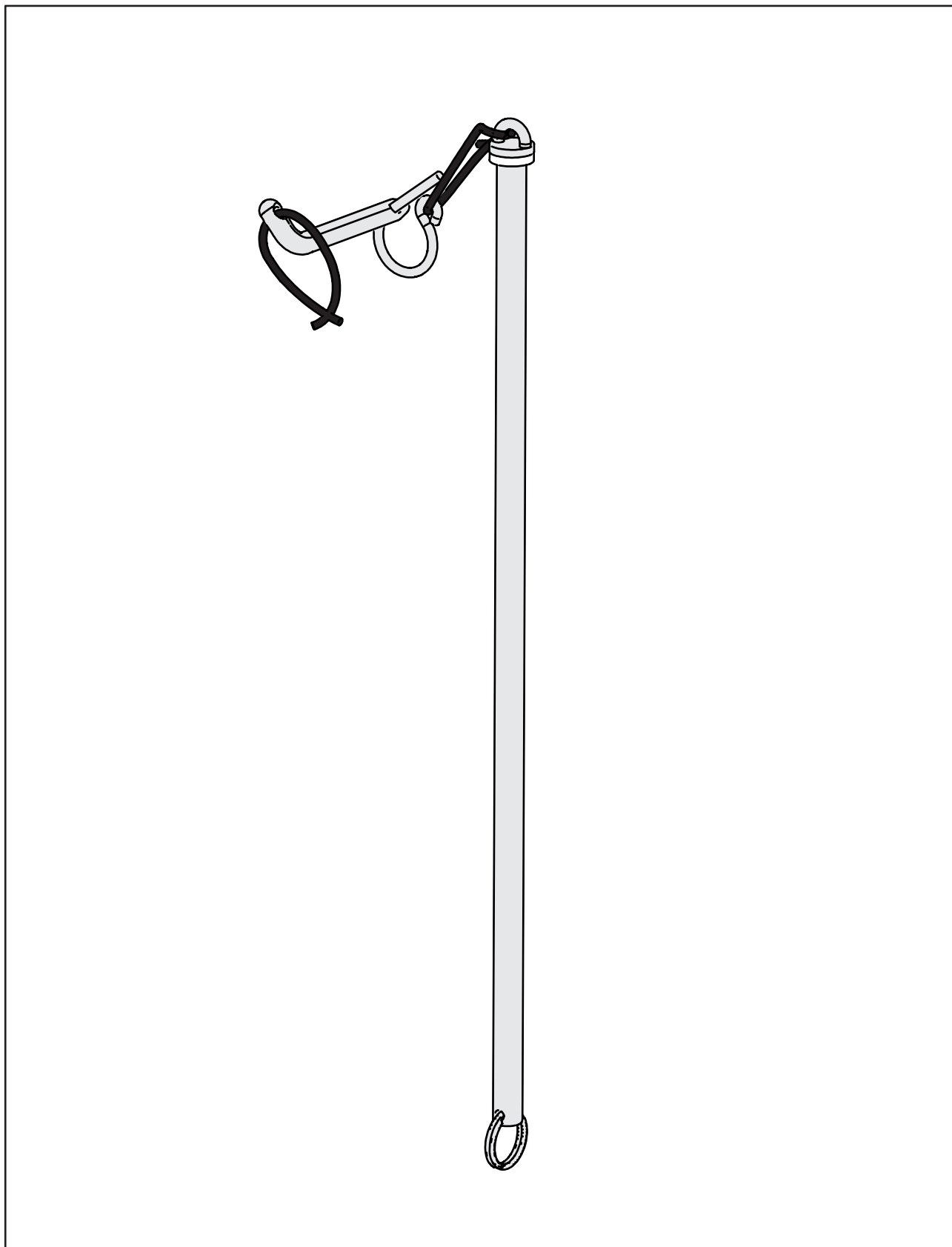
Rudder Box Assembly

RUDDER BOX ASSEMBLY WZTRBX



Rudder Pin with Ring

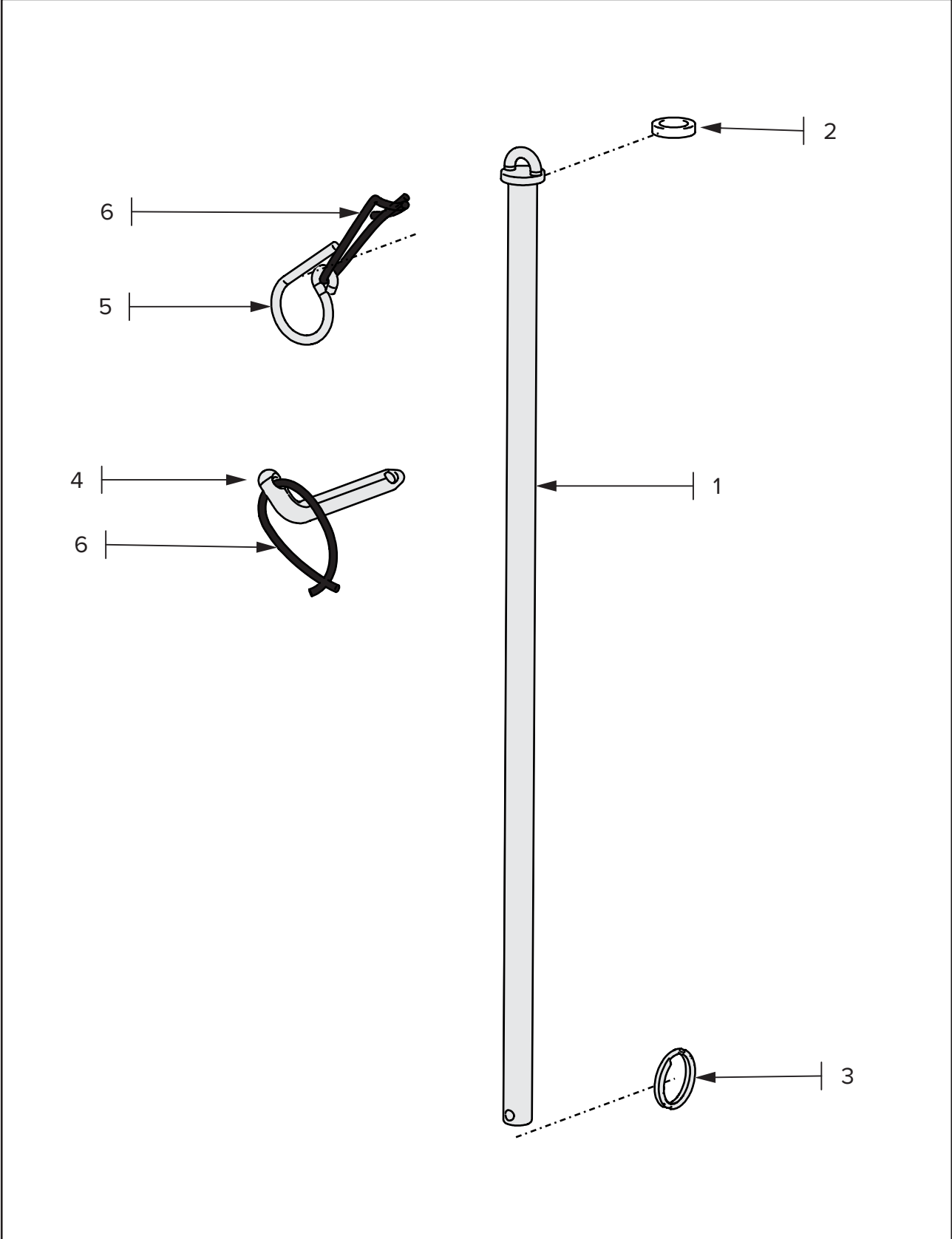
Rudder Pin with Ring



Rudder Pin with Ring

No.	Part no.	Description	Qty
1	WZTRP	Rudder pin with ring	1
2	BO8WP	M8 Washer Plastic	1
3	RF686	Ronstan Split Ring Medium	1
4	WZFRP	Foil Retaining Pin	1
5	RF413	Ronstan SS Retaining Snail Clip	1
6	ROS2	Bungee 2mm Black (0.1m x 2off)	0.2m

Rudder Pin with Ring



Wand Assembly

(up to reversing lever)

Wand Assembly

**WAND ASSEMBLY (up to reversing lever)
WZWDX**

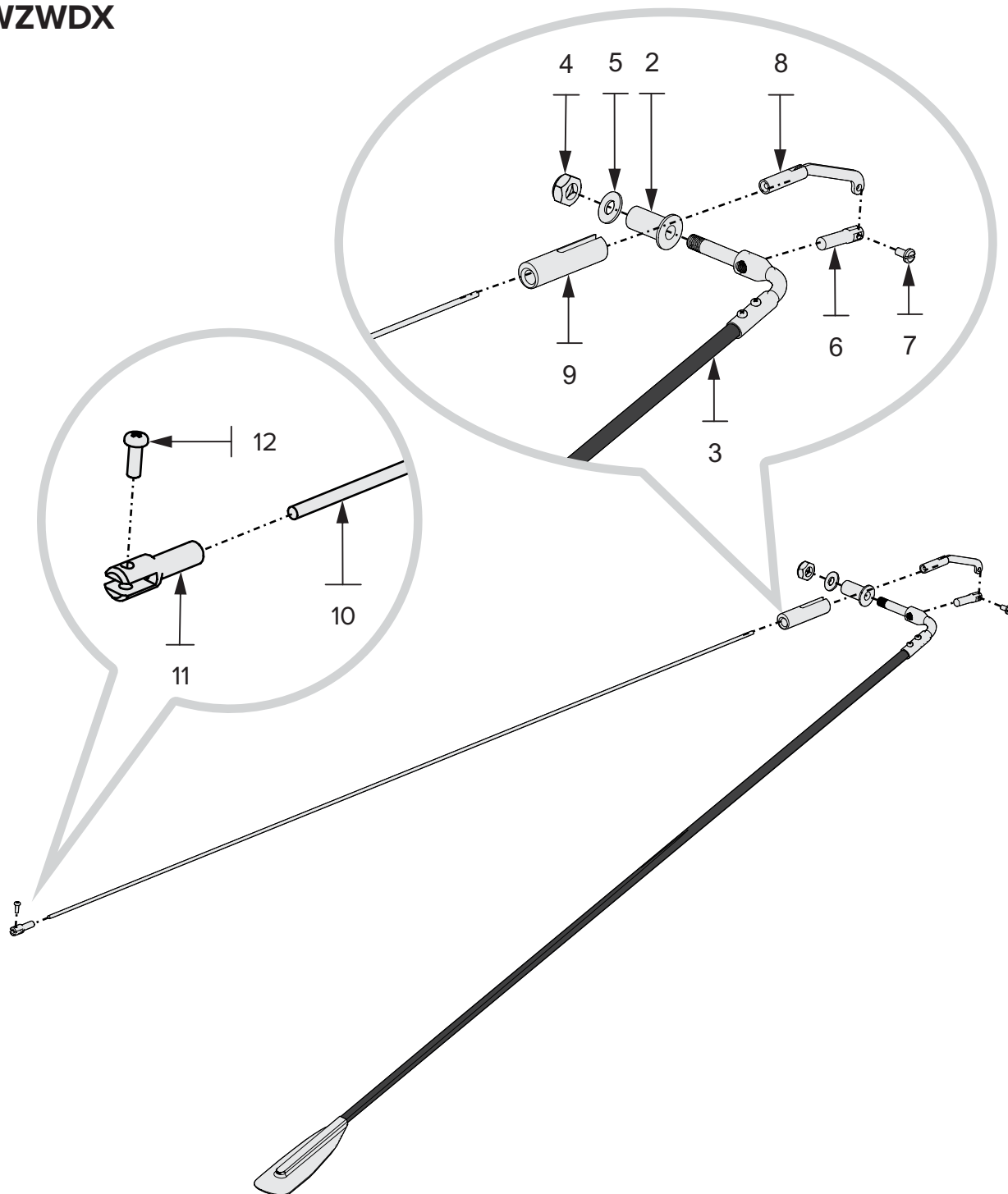


Wand Assembly

No.	Part no.	Description	Qty
1	WZWDX	Wand assembly (up to reversing lever)	1
2	WZHWAB	Wand Axle Sleeve	1
3	WZCWDX	Wand subassembly	1
4	BO8LN	M8 Lock Nut	1
5	BO8W	M8 Washer	1
6	WZCWAS	Wand gearing adjuster screw	1
7	BO4x8PHS	M4x8mm Pan Head Slotted	1
8	WZCWCA	Wand Control Link Assembly	1
9	WZCWCSC	Wand Control Slider Casing	1
10	WZCWPR	Wand Pull Rod	1
11	WZCWPRRE	Wand Pull Rod Rear End	1
12	BO3x8RHP	M3x8mm Round Head Bolt Phillips	1

Wand Assembly

WAND ASSEMBLY (up to reversing lever)
WZWDX



Wand Subassembly

Wand Subassembly

**WAND SUBASSEMBLY
WZCWDX**

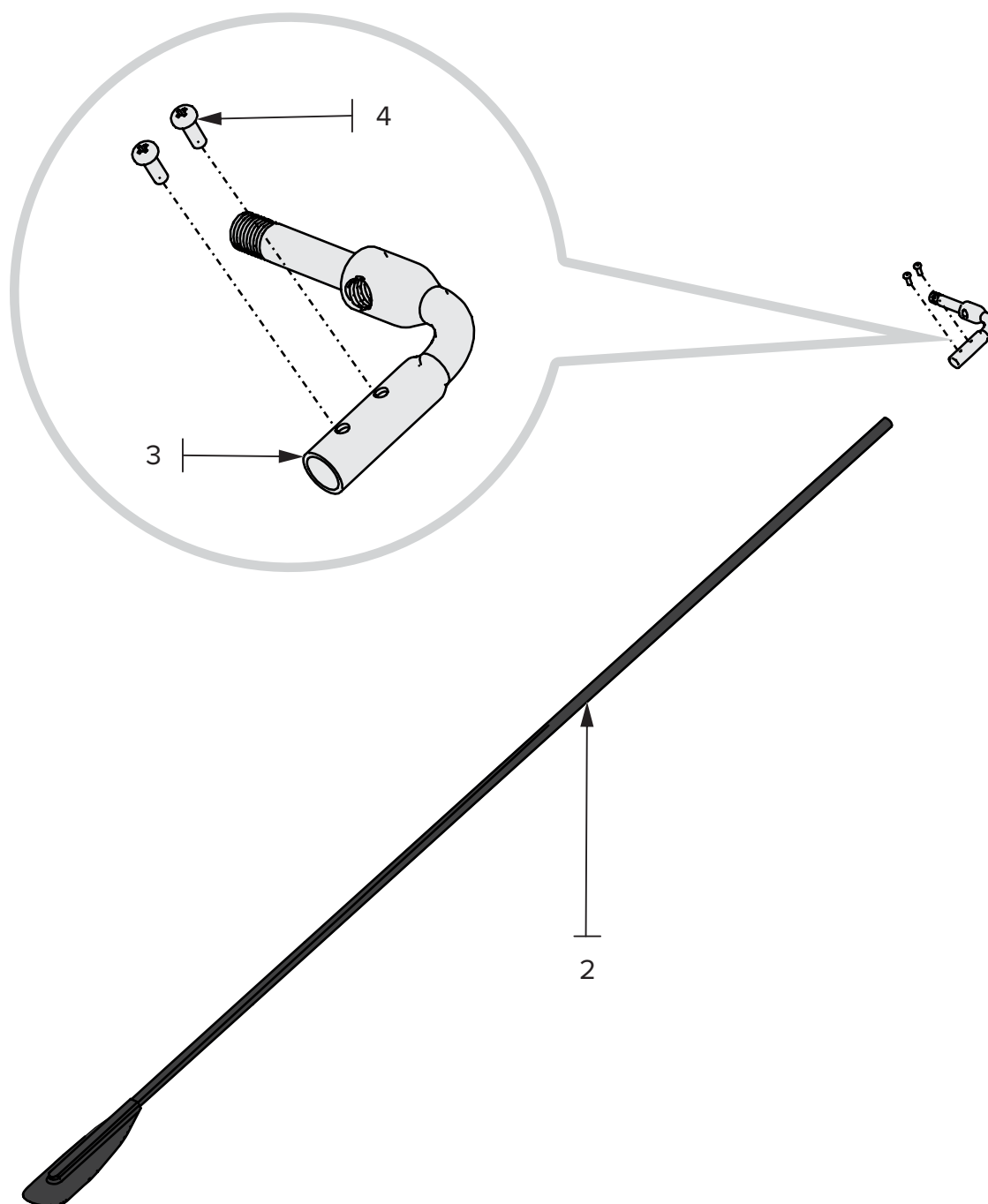


Wand Subassembly

No.	Part no.	Description	Qty
1	WZCWDX	Wand subassembly	1
2	WZCW	Wand shaft with paddle	1
3	WZCWAX	Wand axle	1
4	BO3x8RHP	M3x8mm Round Head Bolt Phillips	2

Wand Subassembly

WAND SUBASSEMBLY
WZCWDX



Wand Shaft with Paddle

Wand Shaft with Paddle

**WAND SHAFT WITH PADDLE
WZCW**



Wand Shaft with Paddle

No.	Part no.	Description	Qty
1	WZCW	Wand shaft with paddle	1
2	WZCWS	Wand shaft	1
3	WZCWP	Wand paddle	1

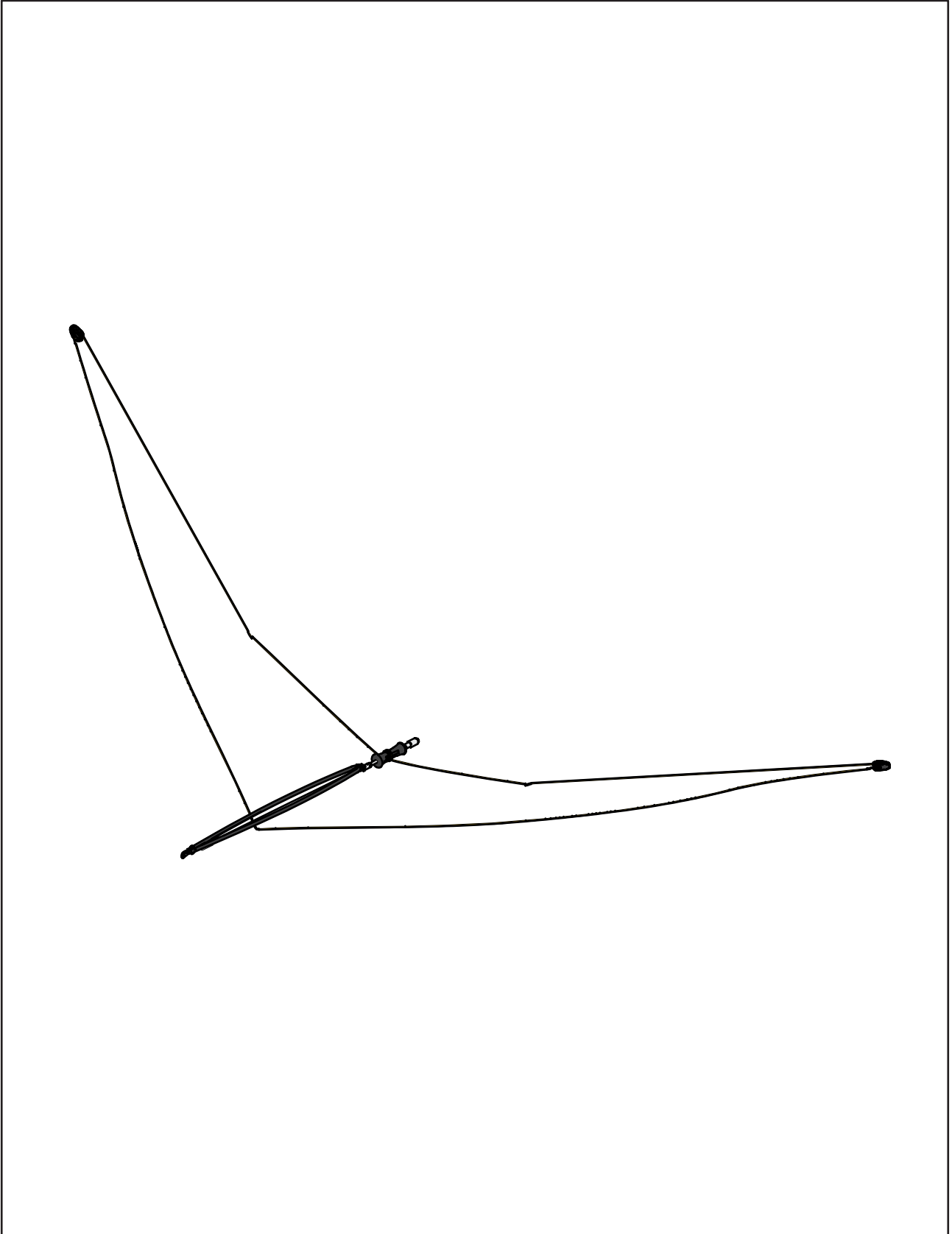
Wand Shaft with Paddle

WAND SHAFT WITH PADDLE
WZCW



Control Assembly
(from reversing lever back)

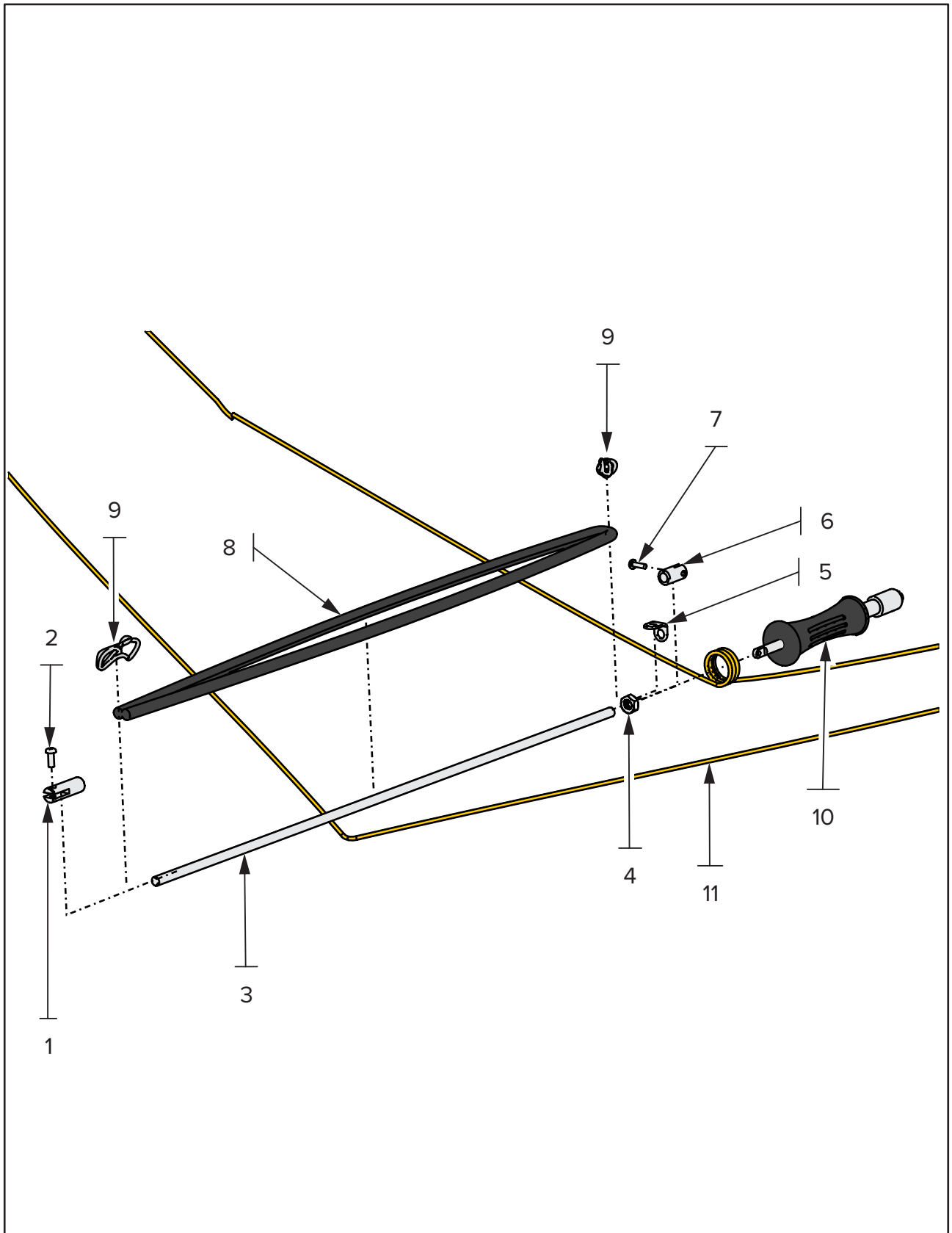
Control Assembly



Control Assembly

No.	Part no.	Description	Qty
1	WZCPRFE	Push rod - hull - front end	1
2	BO3x8RHP	M3x8mm Round Head Bolt Phillips	1
3	WZCPR	Push rod - hull	1
4	BO5N	M5 Plain Nut	1
5	WZCPRBC	Push rod bungee connection	1
6	WZCPRRE	Push rod - hull - rear end	1
7	BO3x8RHP	M3x8mm Round Head Bolt Phillips	1
8	ROS8	Bungee 8mm Black	0.6m
9	ROD2G	Dyneema 2mm Grey	0.5m
10	WZCRHAX	Ride Height Adjuster assembly	1
11	-	RHA Ropes & Pulleys	1

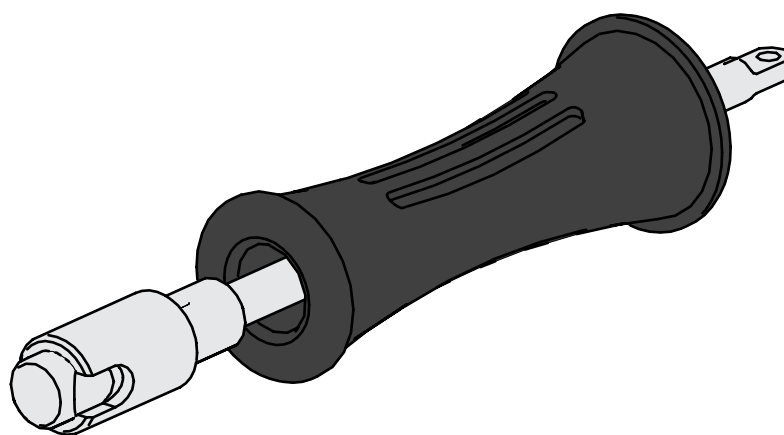
Control Assembly



Ride Height Adjuster Assembly

Ride Height Adjuster Assembly

**RIDE HEIGHT ADJUSTER ASSEMBLY
WZCRHAX**

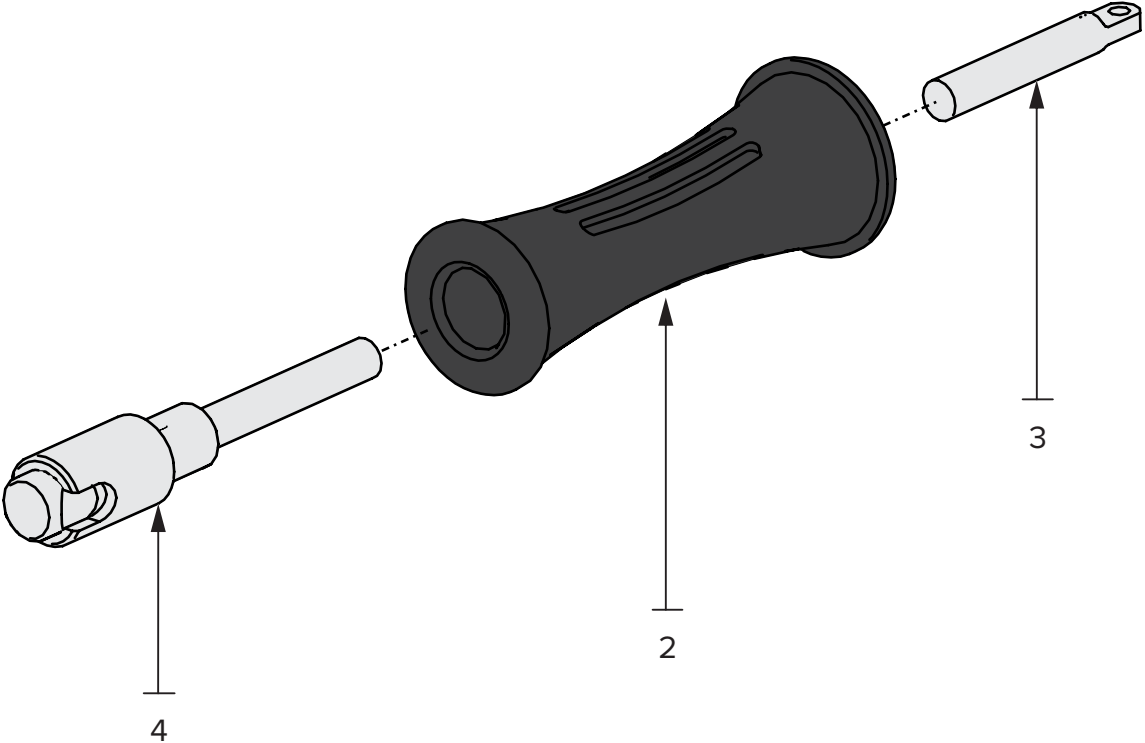


Ride Height Adjuster Assembly

No.	Part no.	Description	Qty
1	WZCRHAX	Ride Height Adjuster assembly	1
2	WZCRHA1	RHA Barrel	1
3	WZCRHA2	Ride Height Adjustor - Back Connector	1
4	WZCBJS	RHA Ball Joint Socket	1

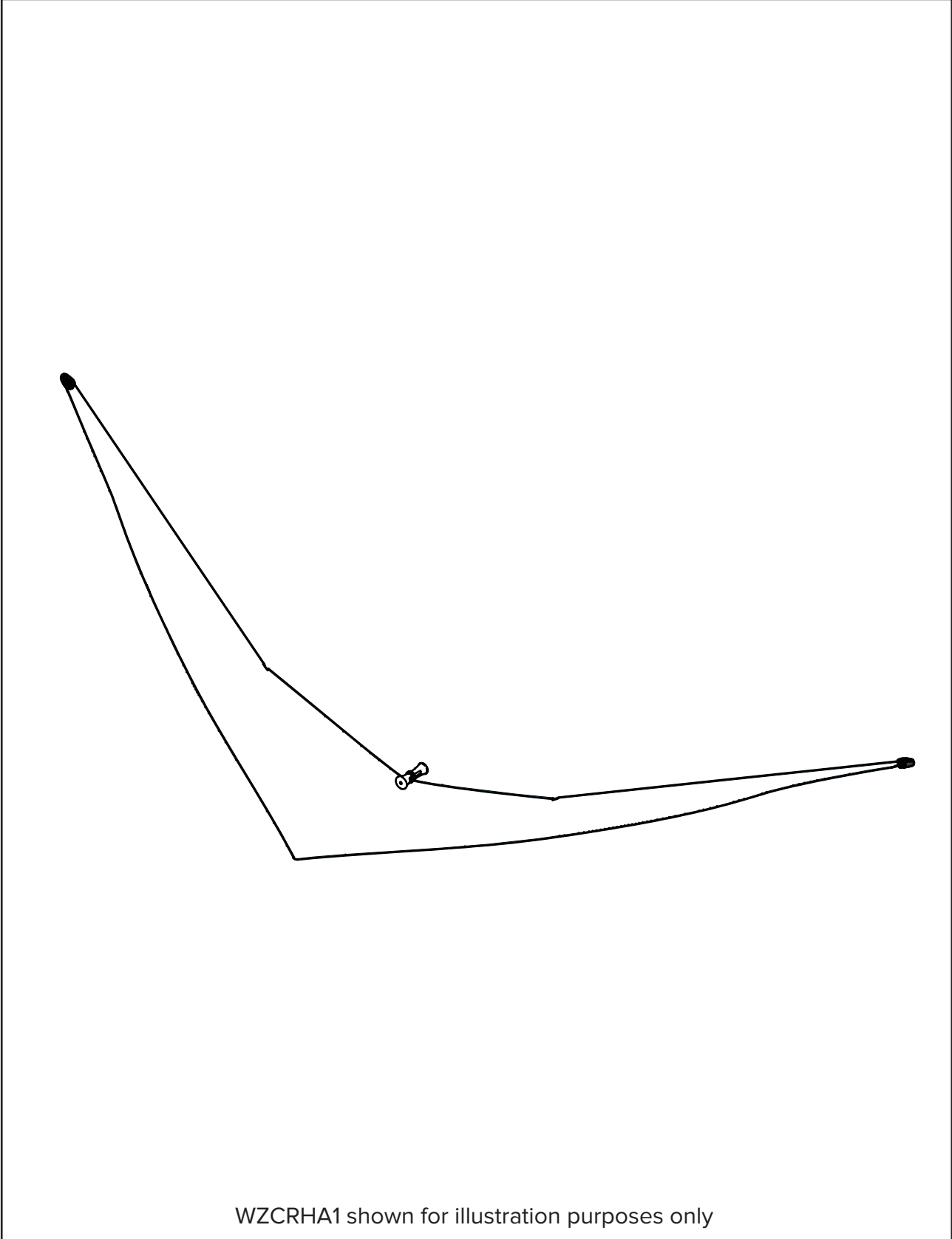
Ride Height Adjuster Assembly

RIDE HEIGHT ADJUSTER ASSEMBLY
WZCRHAX



Ropes and Pulleys

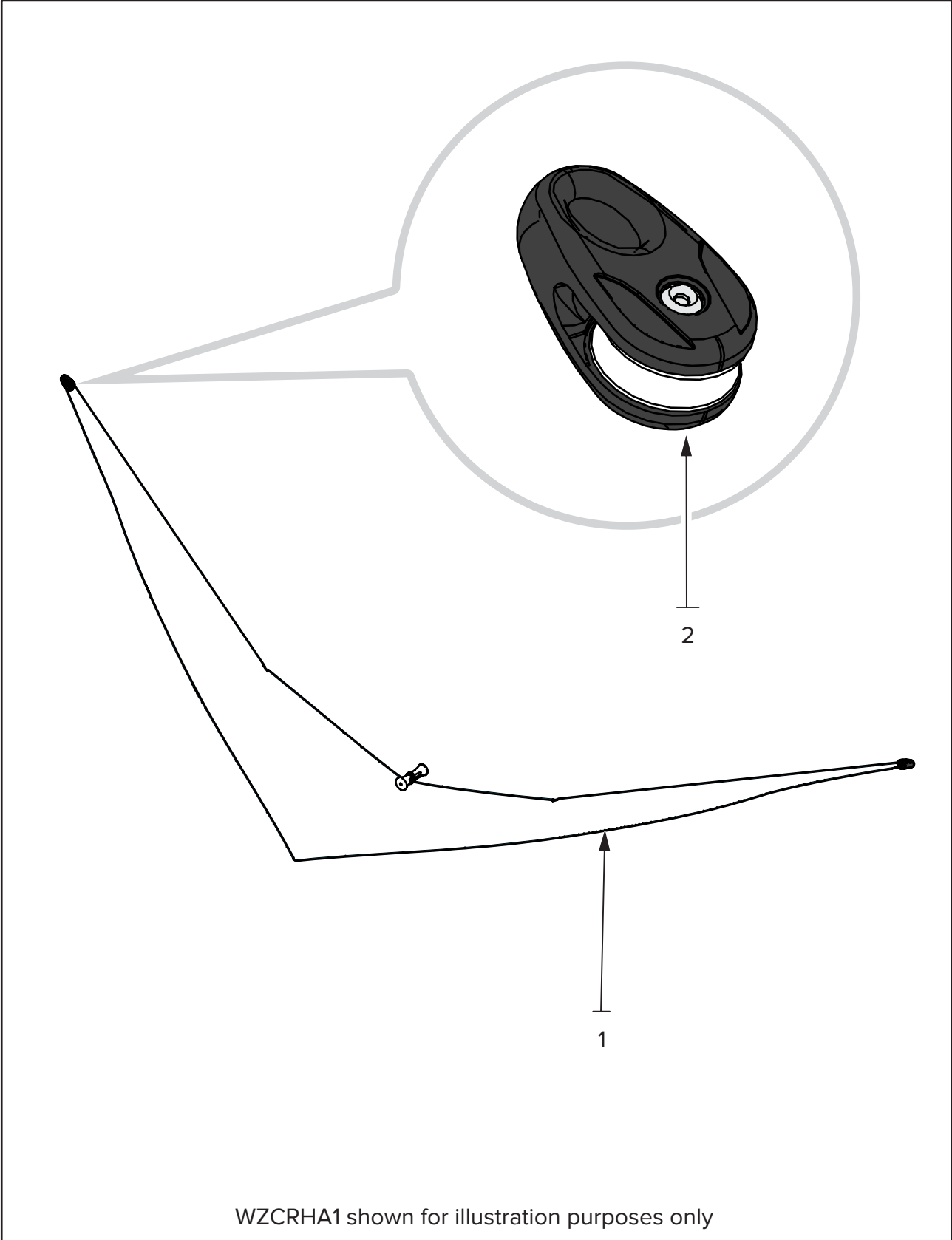
Ropes and Pulleys



Ropes and Pulleys

No.	Part no.	Description	Qty
1	ROD2Y	Dyneema 2mm Yellow	5.1m
2	RF13101	Ronstan Kite Block, (Stitched onto wing tramp)	2

Ropes and Pulleys



WZCRHA1 shown for illustration purposes only

Rig Assembly

Rig Assembly



Rig Assembly

No.	Part no.	Description	Qty
1	WZRMB	Mast for 8.2m sail	-
2	WZRMM	Mast for 6.9m sail	-
3	WZRB	Boom	1
4	WZSS8	WASZP Sail 8.2m	-
5	WZSS6.9	WASZP Sail 6.9m	-

Rig Assembly



Mast for 8.2m sail

Assembly

Mast for 8.2m sail Assembly

**MAST FOR 8.2 SAIL ASSEMBLY
WZRMB**

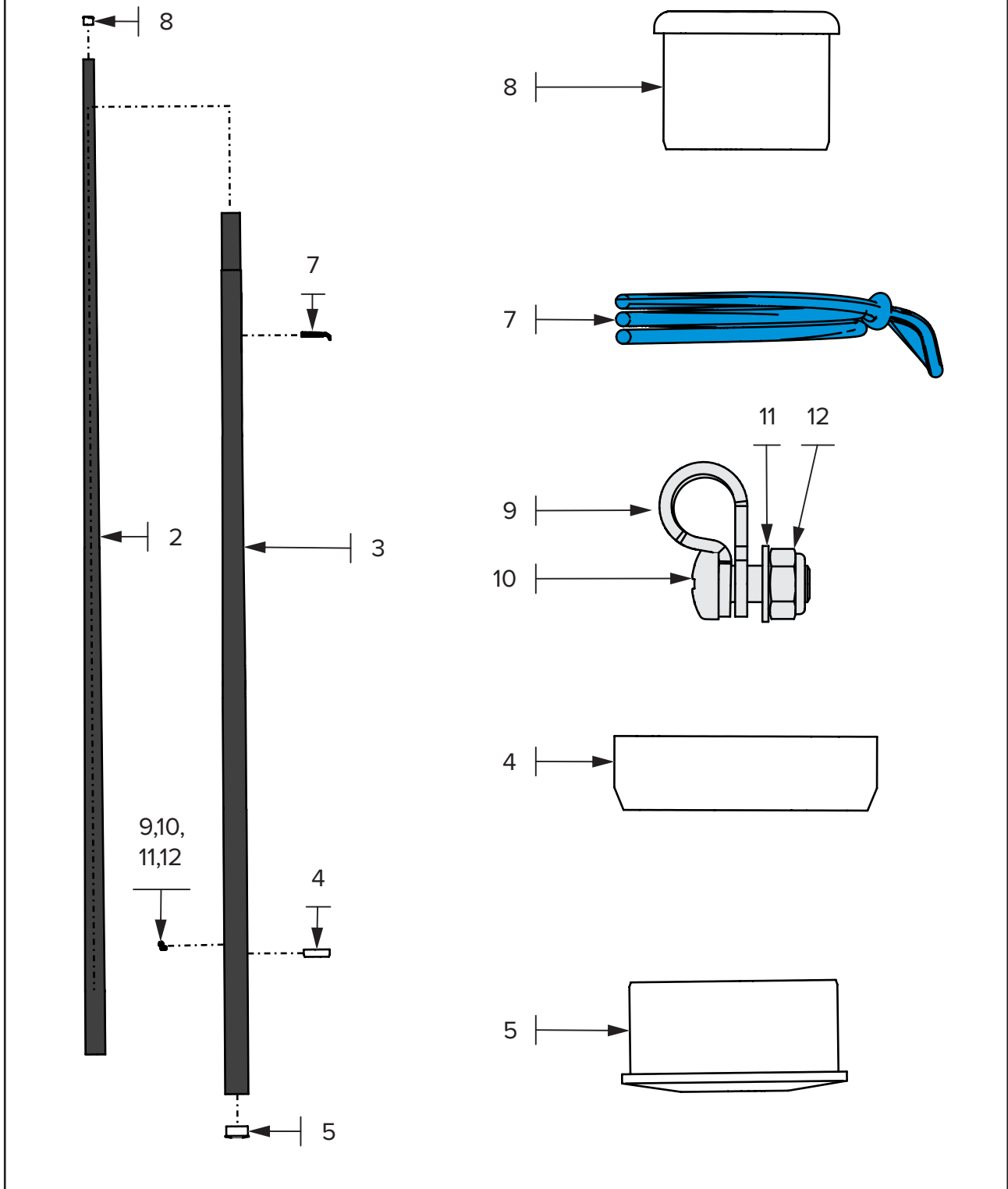


Mast for 8.2m sail Assembly

No.	Part no.	Description	Qty
1	WZRMB	Mast for 8.2m sail	1
2	WZRMBT	Mast Top for 8.2 & 6.9m sail	1
3	WZRMBB	Mast Bottom for 8.2m sail	1
4	WZRMBBC	Mast collar for 8.2m sail	1
5	WZRMBF	Mast Foot for 6.9m & 8.2m sail	1
6	WZSMBL	Mast Bag for 8.2m sail mast	1
7	WZRMBL	Rope to tie boom to mast	1
8	WZRMPB	Mast Top Plug for 6.9m & 8.2m sail	1
9	RF1051	Ronstan RF1051 Eye Becket	1
10	BO6x15RHA	M6x15mm Round Head Bolt Allen	1
11	BO6W	M6 Washer	1
12	BO6LN	M6 Lock Nut	1

Mast for 8.2m sail Assembly

MAST FOR 8.2 SAIL ASSEMBLY WZRMB



Mast for 6.9m sail

Assembly

Mast for 6.9m sail Assembly

**MAST FOR 6.9 SAIL ASSEMBLY
WZRMM**

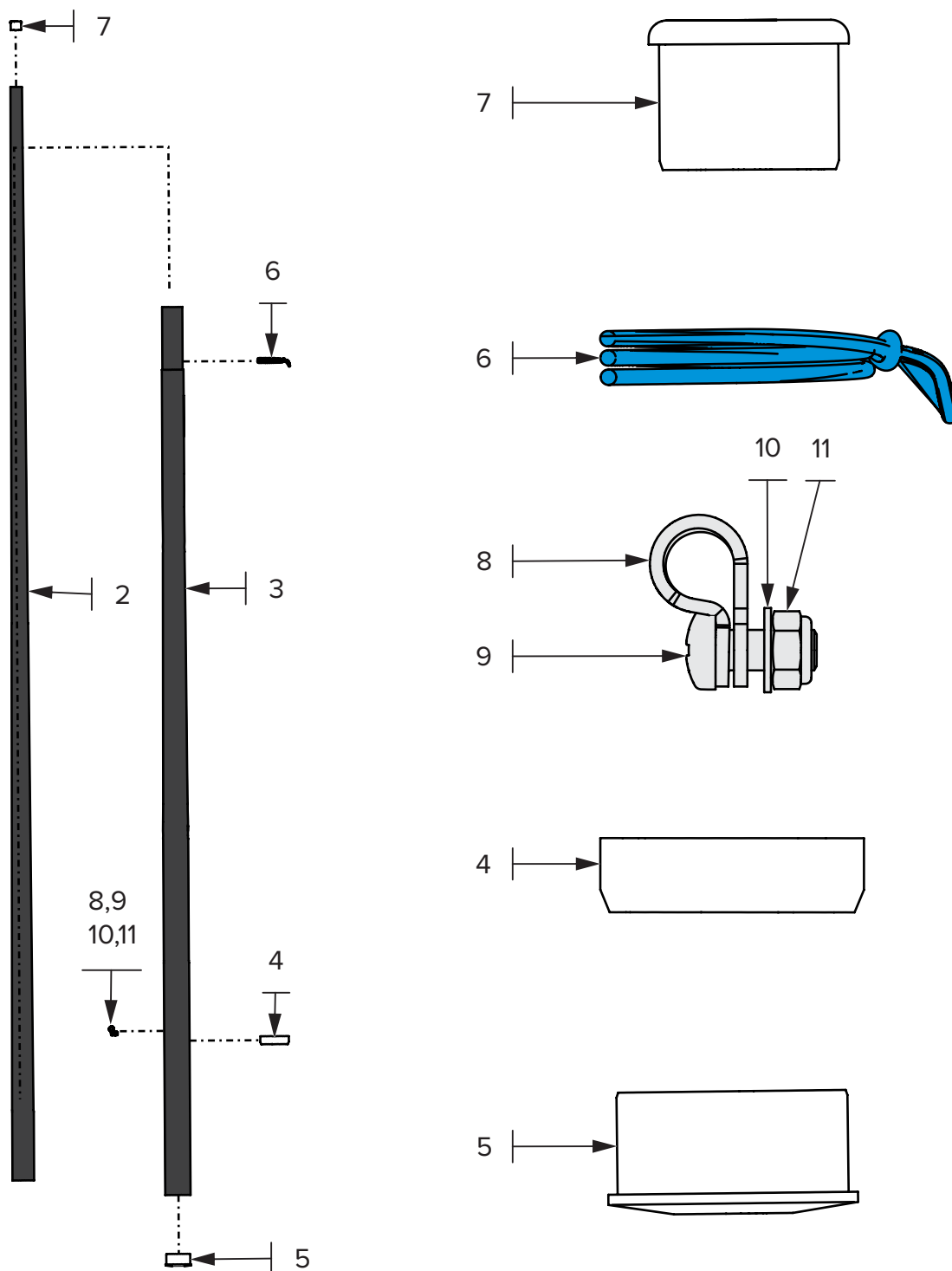


Mast for 6.9m sail Assembly

No.	Part no.	Description	Qty
1	WZRMM	Mast for 6.9m sail	1
2	WZRMBT	Mast Top for 8.2 & 6.9m sail	1
3	WZRMMB	Mast Bottom for 6.9m sail	1
4	WZRMMC	Mast collar for 6.9m sail	1
5	WZRMBF	Mast Foot for 6.9m & 8.2m sail	1
6	WZRMBL	Rope to tie boom to mast	1
7	WZRMPB	Mast Top Plug for 6.9m & 8.2m sail	1
8	RF1051	Ronstan RF1051 Eye Becket	1
9	BO6x15RHA	M6x15mm Round Head Bolt Allen	1
10	BO6W	M6 Washer	1
11	BO6LN	M6 Lock Nut	1

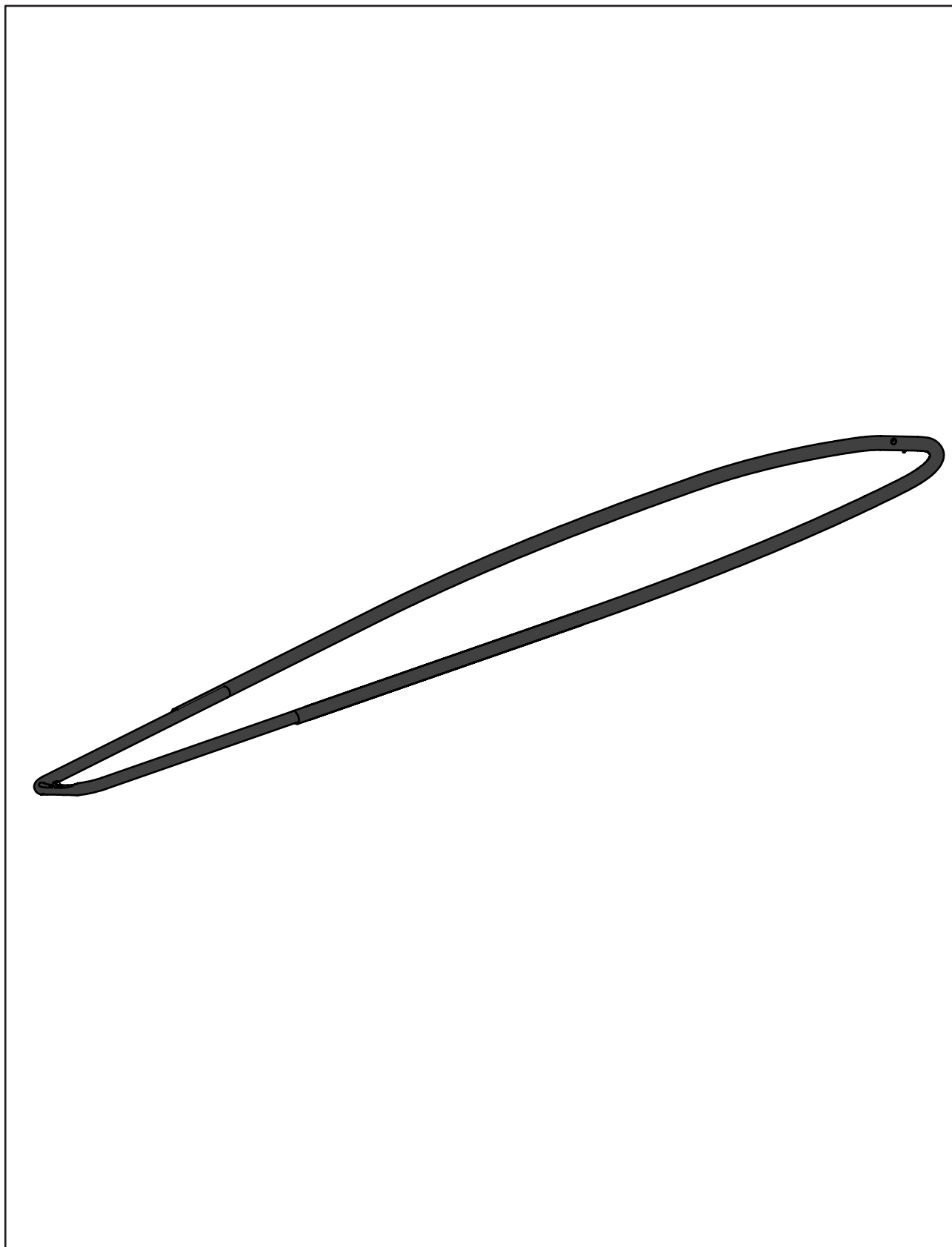
Mast for 6.9m sail Assembly

MAST FOR 6.9 SAIL ASSEMBLY WZRMM



Boom Assembly

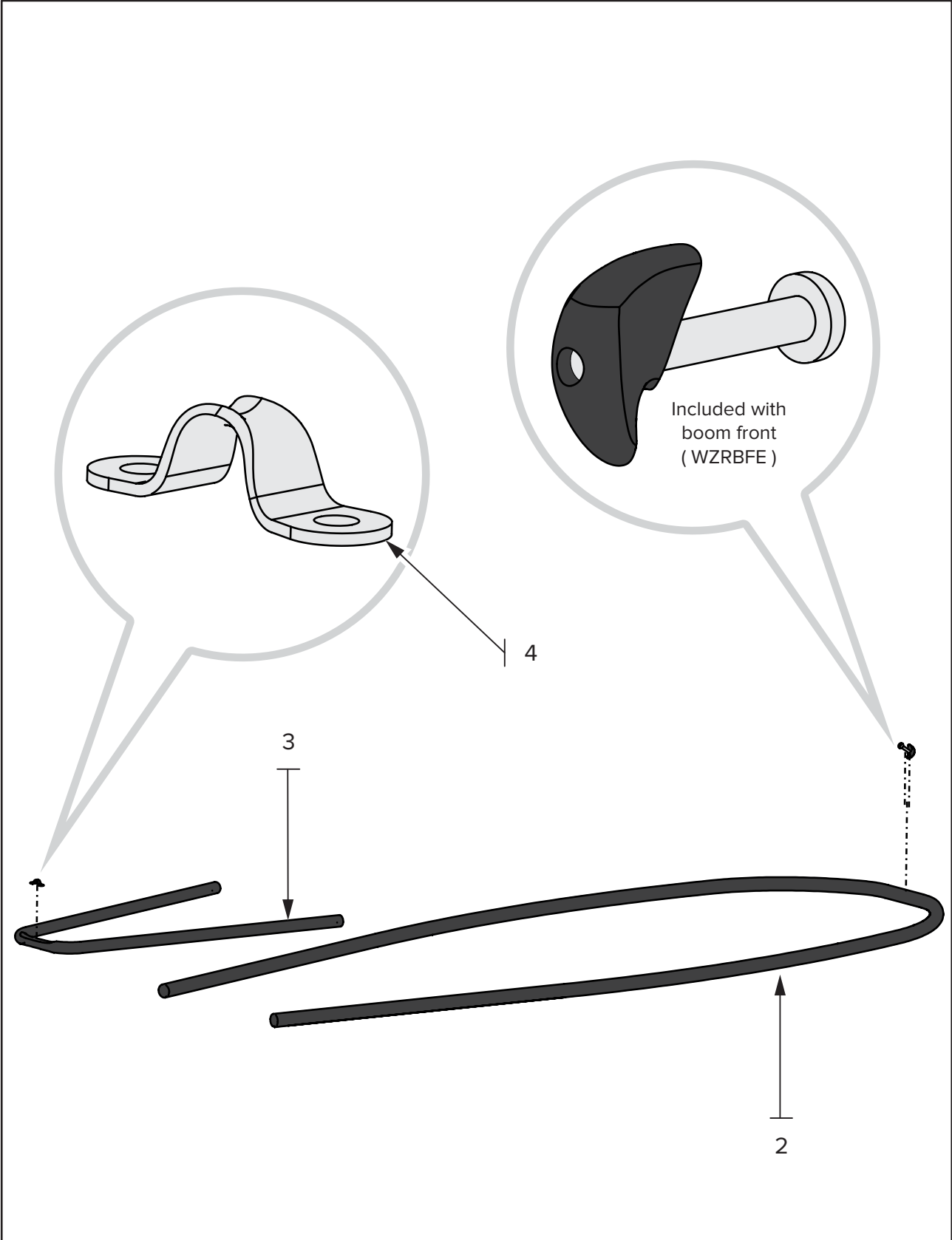
Boom Assembly



Boom Assembly

No.	Part no.	Description	Qty
1	WZRB	Boom	1
2	WZRBFE	Boom front end	1
3	WZRBRE	Boom rear end	1
4	WZRBRES	Boom rear end Saddle	1

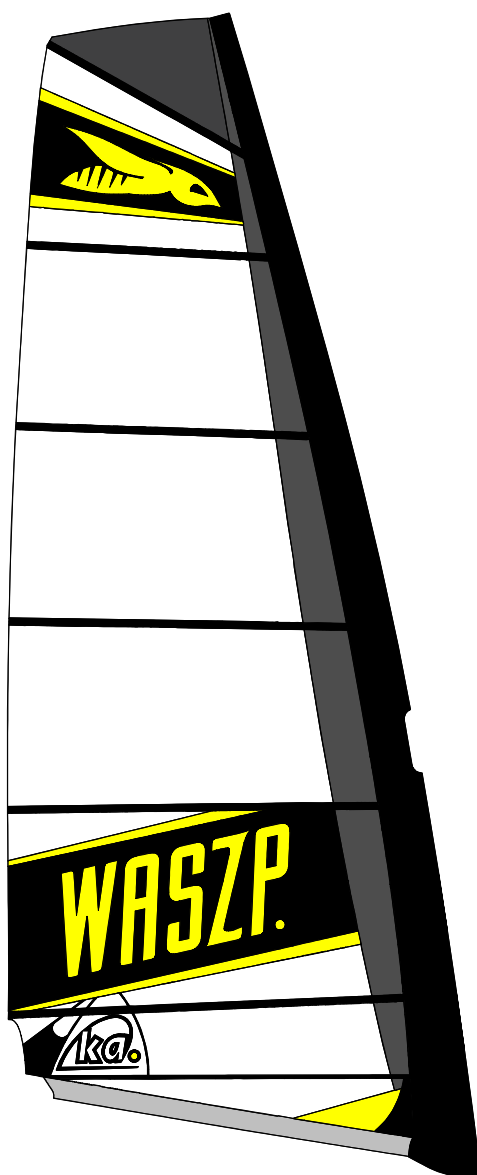
Boom Assembly



WASZP Sail 8.2m

Assembly

WASZP Sail 8.2m Assembly

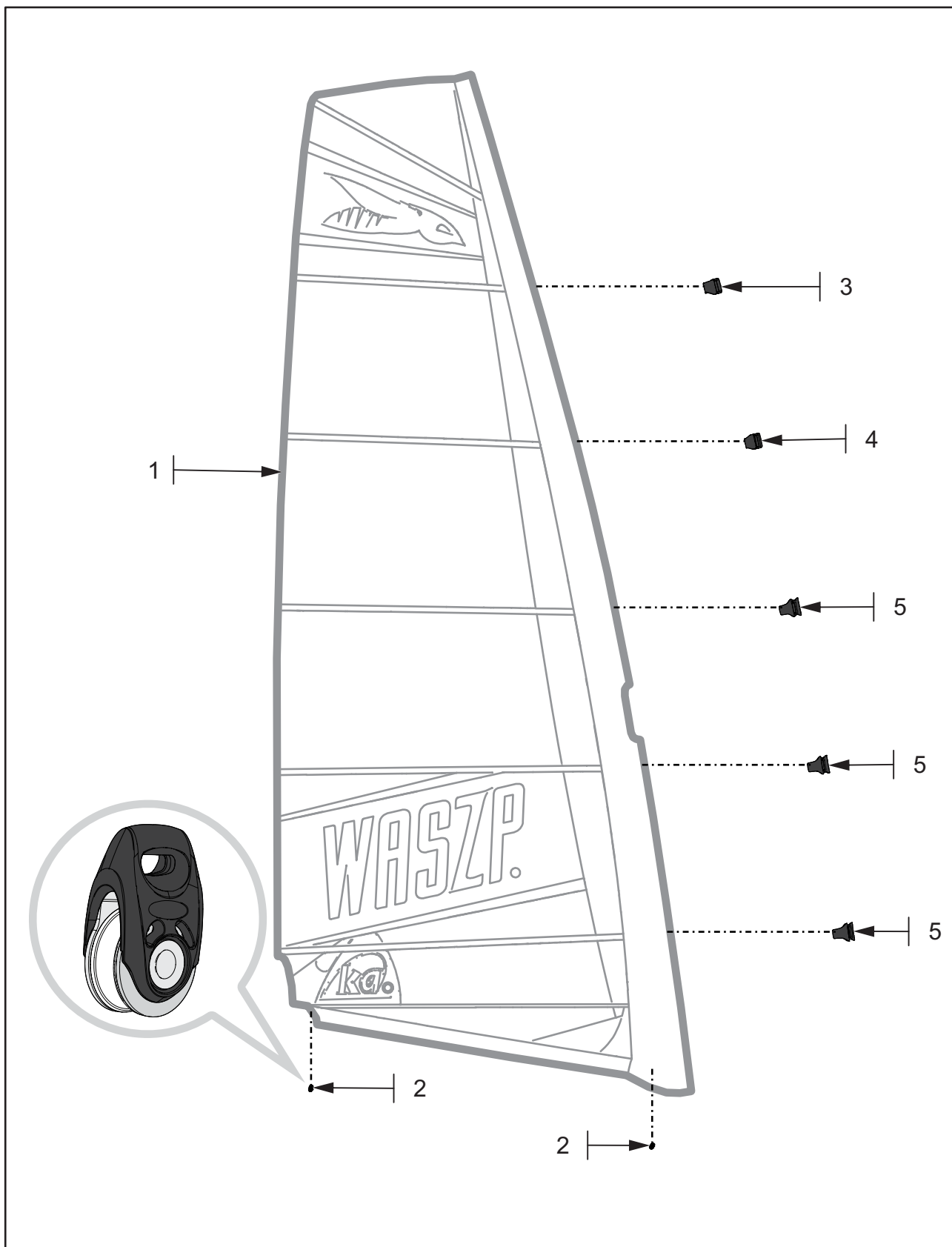


available sail colors

WASZP Sail 8.2m Assembly

No.	Part no.	Description	Qty
1	WZSS8	WASZP Sail 8.2m	1
2	RF21107	Ronstan Webbing Block (Stitched onto sail)	2
3	ATKA47	KA SDM Cam 47	1
4	ATKA52	KA SDM Cam 52	1
5	ATKA68	KA SDM Cam 68	3

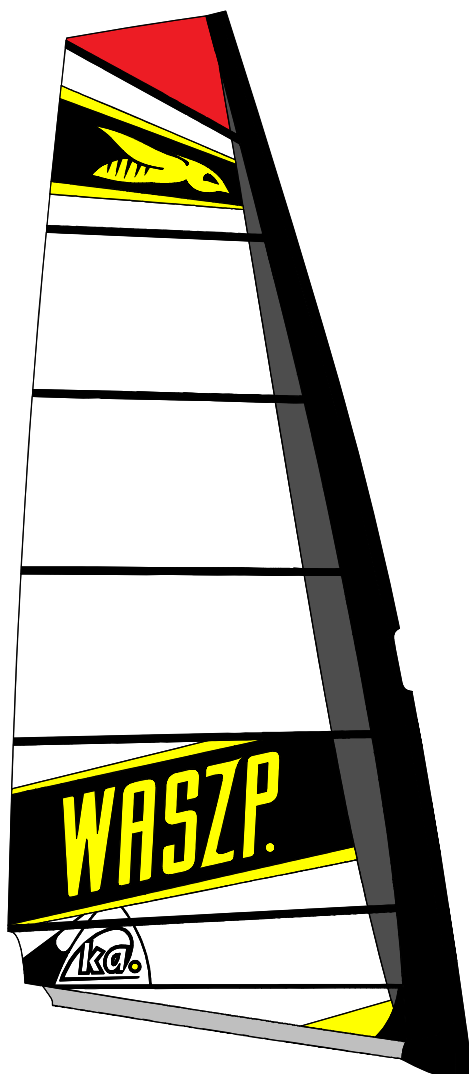
WASZP Sail 8.2m Assembly



WASZP Sail 6.9m

Assembly

WASZP Sail 6.9m Assembly

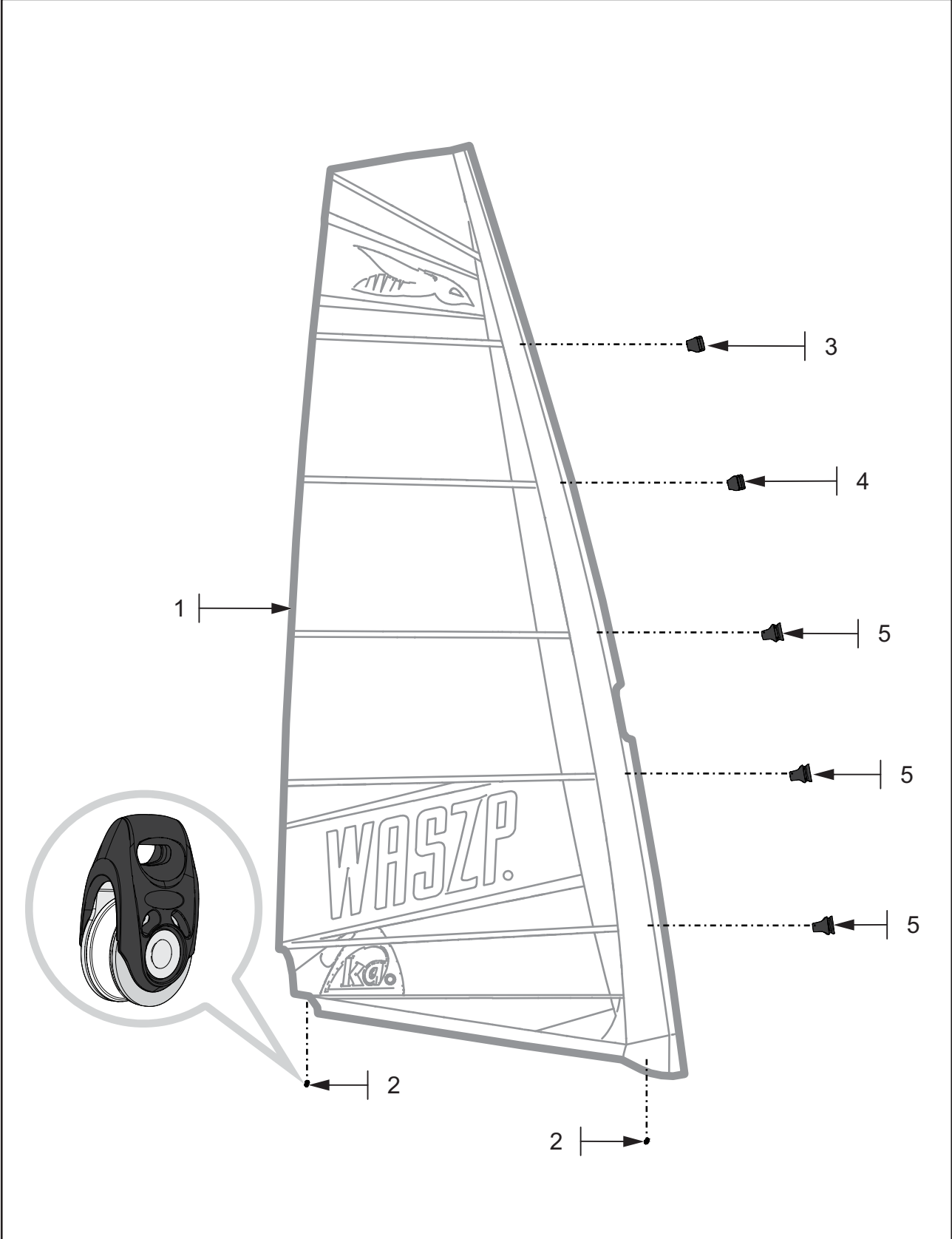


available sail colors

WASZP Sail 6.9m Assembly

No.	Part no.	Description	Qty
1	WZSS6.9	WASZP Sail 6.9m	1
2	RF21107	Ronstan Webbing Block (Stitched to sail)	2
3	ATKA47	KA SDM Cam 47	1
4	ATKA52	KA SDM Cam 52	1
5	ATKA68	KA SDM Cam 68	3

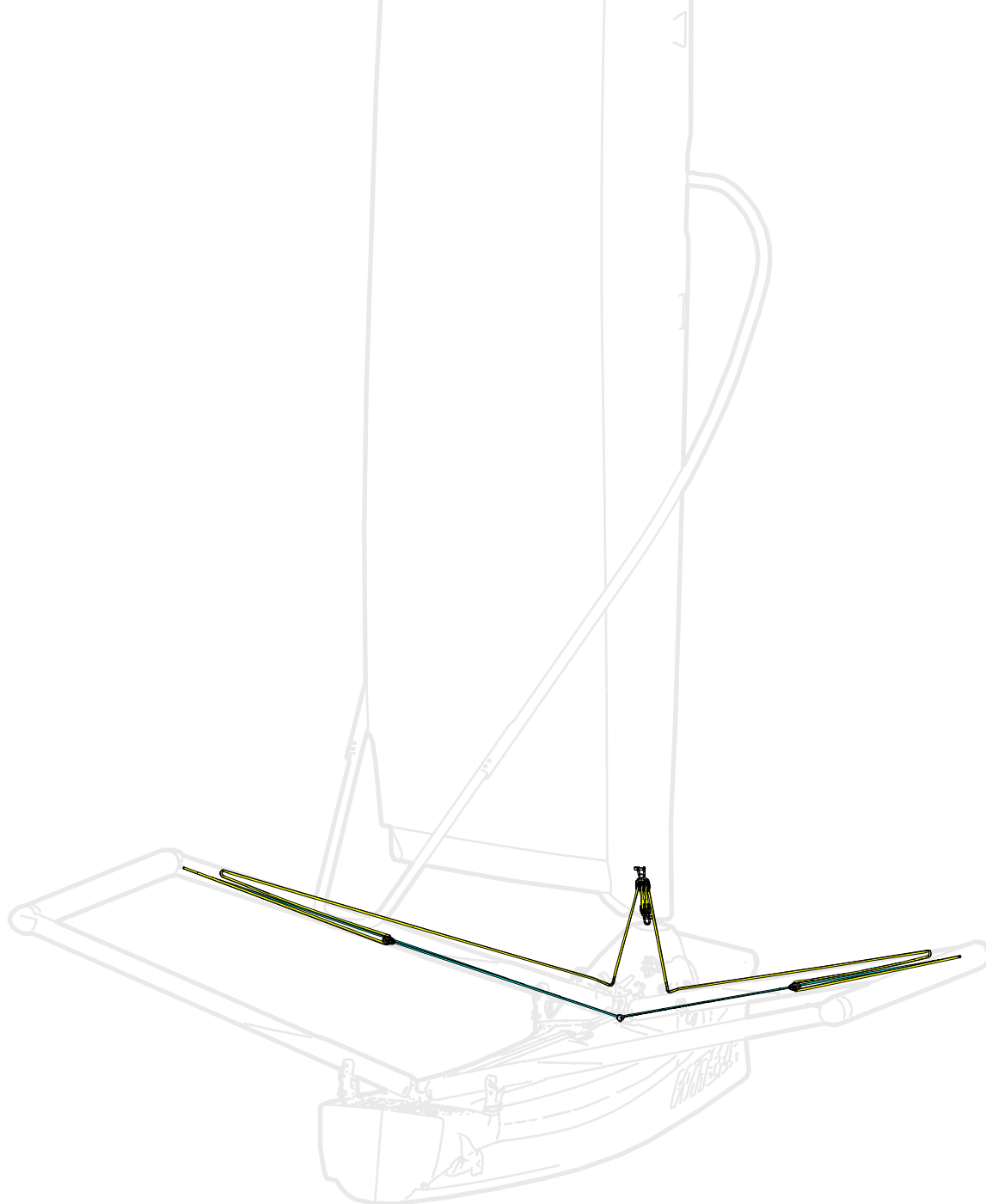
WASZP Sail 6.9m Assembly



Downhaul Ropes and Pulleys

Downhaul Ropes and Pulleys

DOWNHAUL ROPES AND PULLEYS WZRLDX

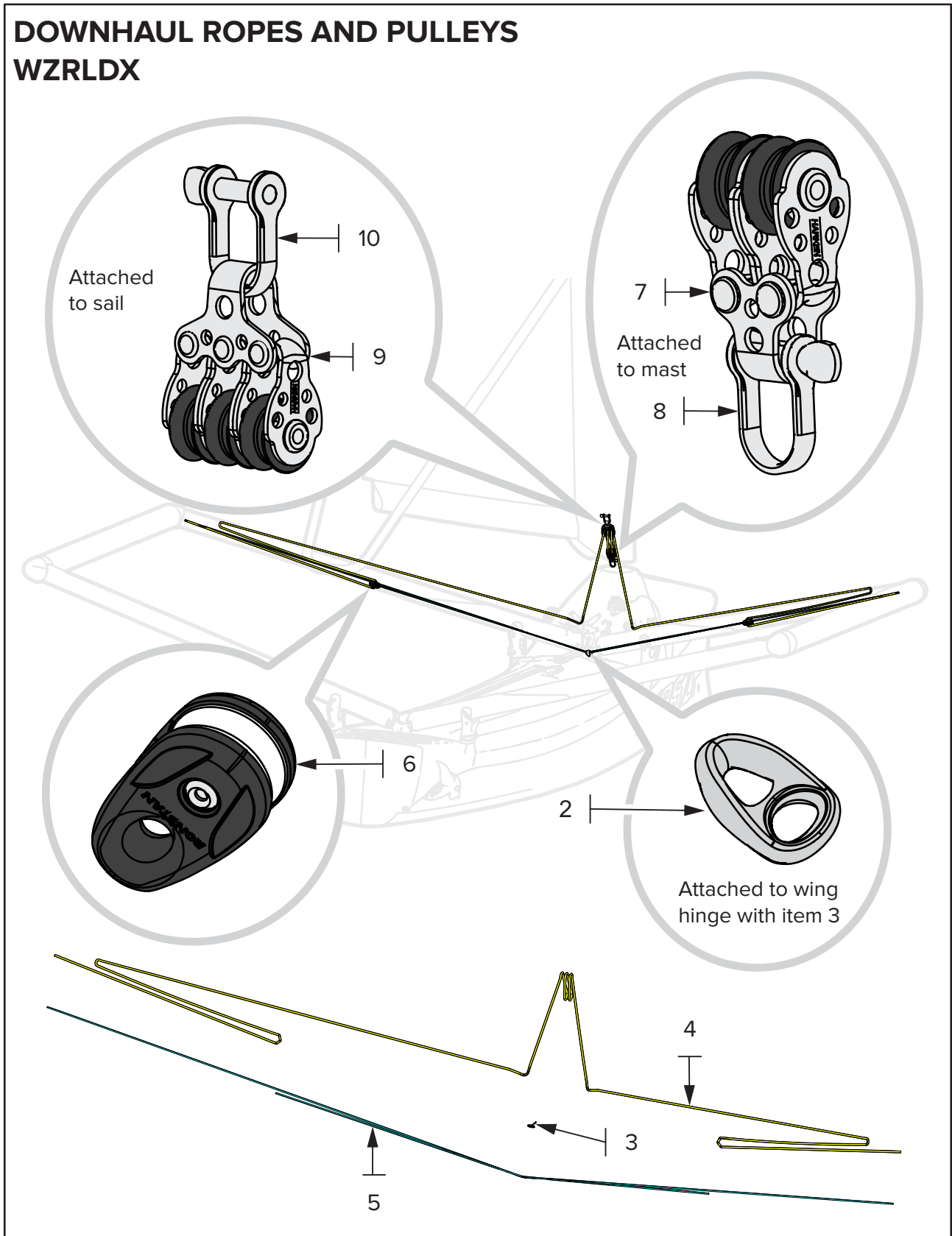


Downhaul Ropes and Pulleys

No.	Part no.	Description	Qty
1	WZRLDX	Downhaul Ropes and Blocks	1
2	RF8080	Ronstan Shock	1
3	ROD2G	Dyneema 2mm Grey	0.2m
4	ROCL4K	Control Rope DPT-3.5BLK Black	5.9m
5	ROS4	Bungee 4mm Black	2.6m
6	RF13101	Ronstan Kite Block, black, white sheave	2
7	HK406	Harken 16mm double block	1
8	RF1806	Ronstan Dee shackle 4.0mm coined	1
9	HK408	Harken 16mm triple block	1
10	RF616	Ronstan Dee shackle 4.7mm coined	1

Downhaul Ropes and Pulleys

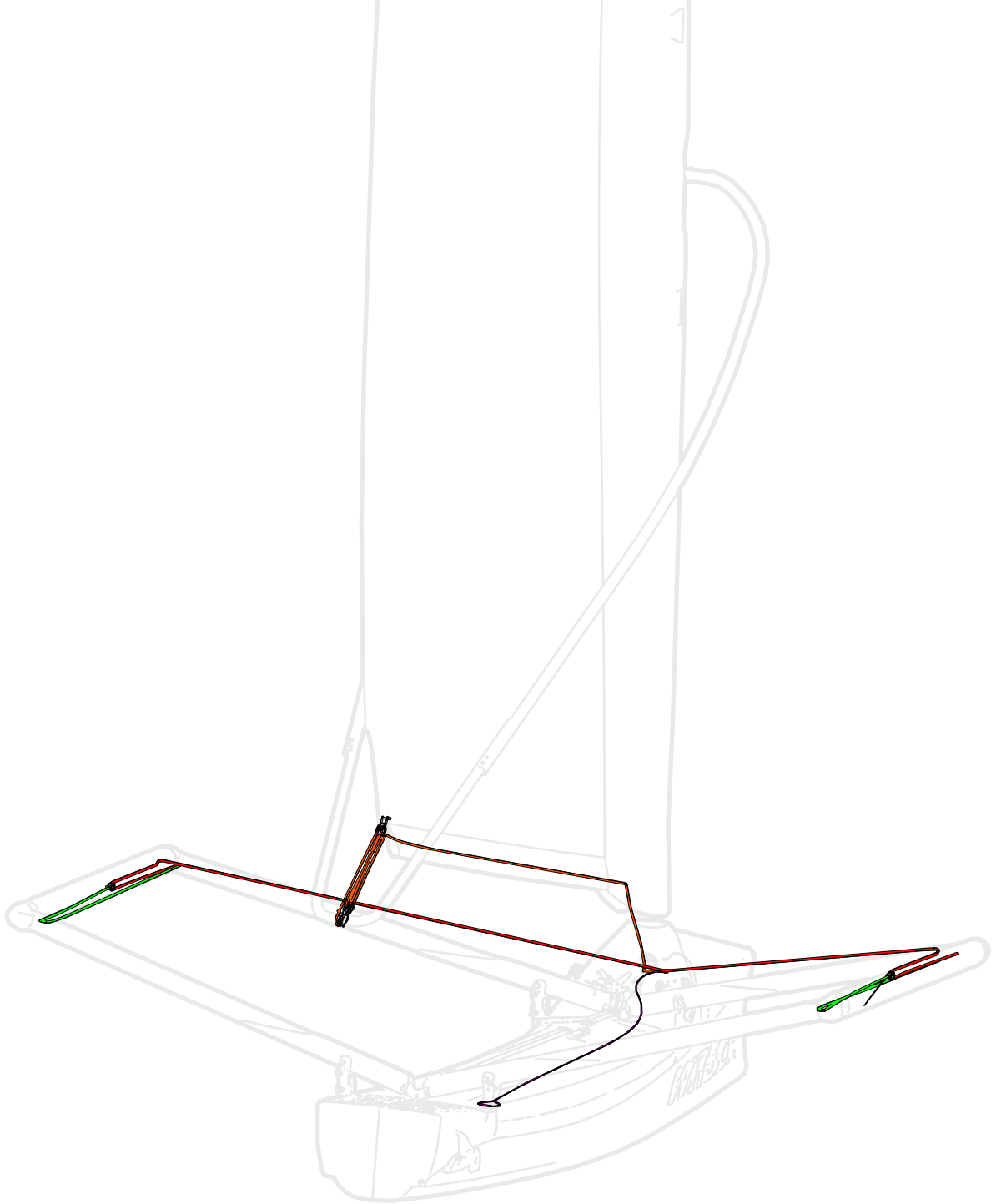
DOWNHAUL ROPES AND PULLEYS WZRLDX



Outhaul Ropes and Pulleys

Outhaul Ropes and Pulleys

OUTHAUL ROPES AND PULLEYS WZRLOX

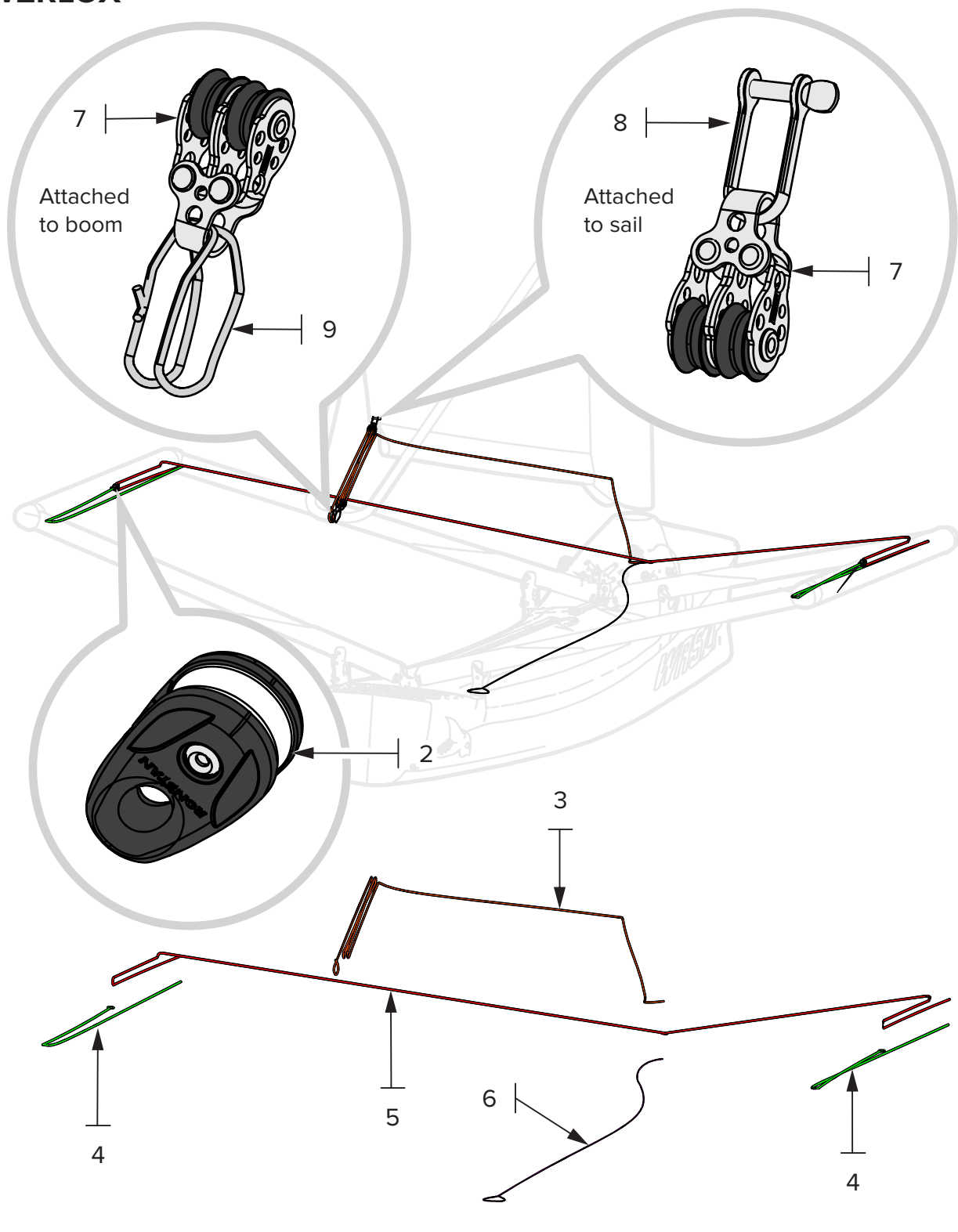


Outhaul Ropes and Pulleys

No.	Part no.	Description	Qty
1	WZRLOX	Outhaul Ropes and Blocks	1
2	RF13101	Ronstan Kite Block, black, white sheave	2
3	ROCL4R	Control Rope DPT-3.5RED Red	6m
4	ROS4	Bungee 4mm Black	2.4m
5	ROCL4R	Control Rope DPT-3.5RED Red	5m
6	ROS4	Bungee 4mm Black	1.7m
7	HK406	Harken 16mm double block	2
8	RF621	Ronstan Long Dee shackle 4.0mm coined	1
9	ROD2G	Dyneema 2mm Grey	0.3m

Outhaul Ropes and Pulleys

OUTHAUL ROPES AND PULLEYS WZRLOX

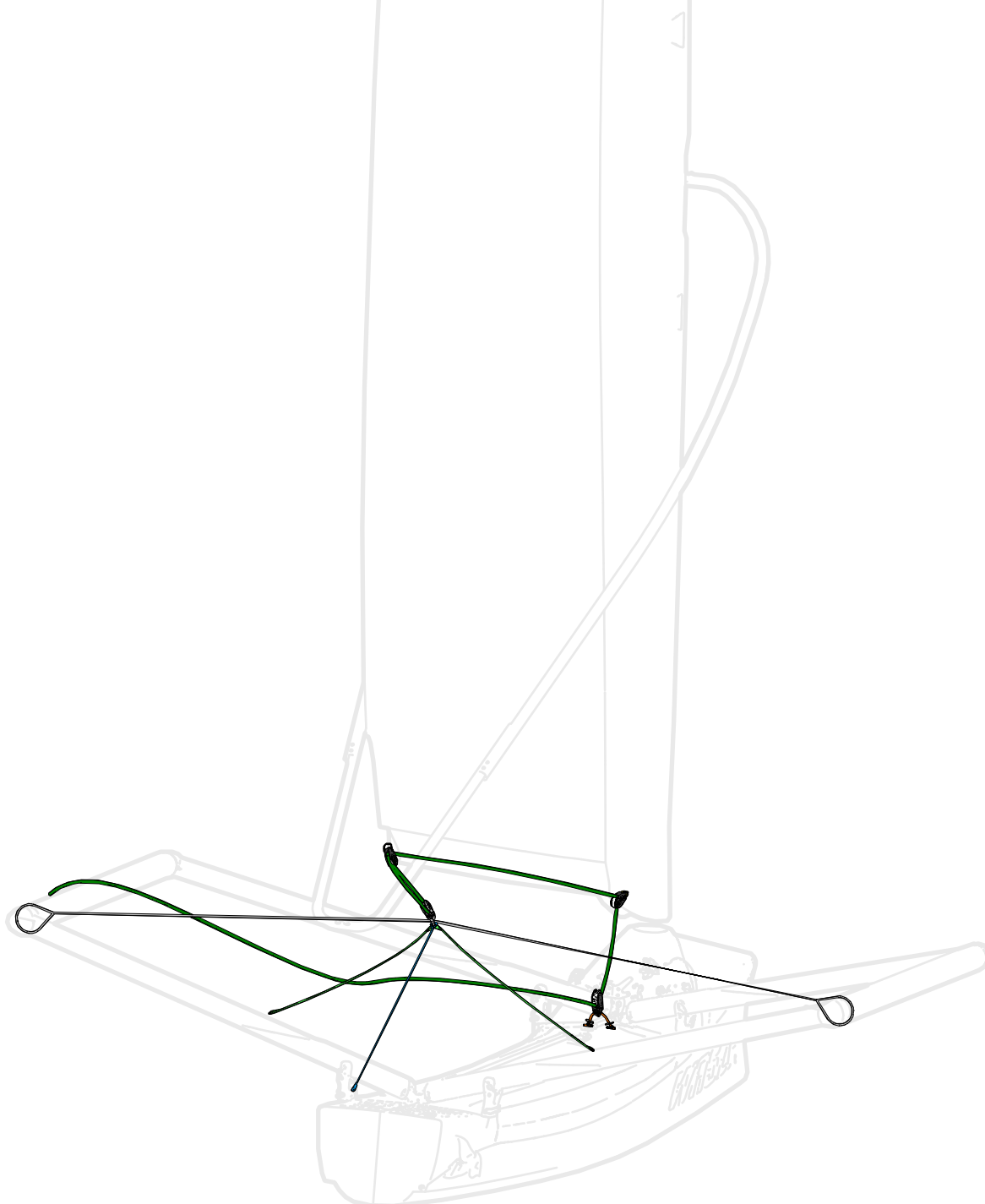


Mainsheet

Ropes and Pulleys

Mainsheet Ropes and Pulleys

MAINSHEET ROPES AND PULLEYS WZRLMX

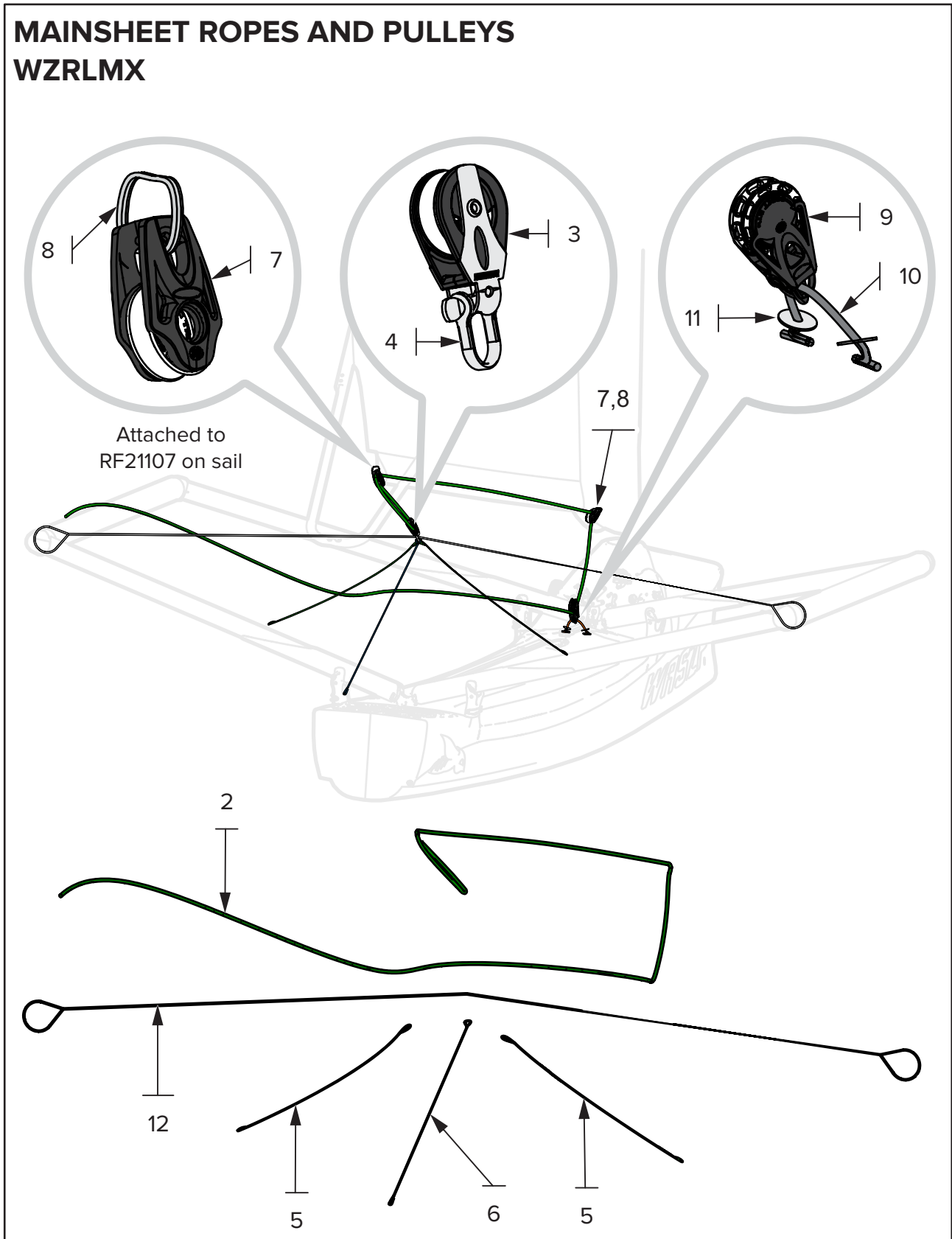


Mainsheet Ropes and Pulleys

No.	Part no.	Description	Qty
1	WZRLMX	Mainsheet Ropes and Blocks	1
2	ROM7	Mainsheet DS-7 black	7.1m
3	RF30101	Ronstan Series 30 Single Loop Block	1
4	RF616	Ronstan Dee shackle 4.7mm coined	1
5	ROD3	Dyneema 3mm Grey	2.4m
6	ROD3	Dyneema 3mm Grey	1.4m
7	RF35101	Ronstan Orbitblock Series 30 Single	2
8	ROD2G	Dyneema 2mm Grey (0.3m x 2off)	0.6m
9	RF46101	Ronstan Series 40 Orbit Ratchet Block	1
10	ROCL4K	Control Rope DPT-3.5BLK Black	0.3m
11	BO5WL	M5 Washer large	2
12	ROS2	Bungee 2mm Black	1.8m

Mainsheet Ropes and Pulleys

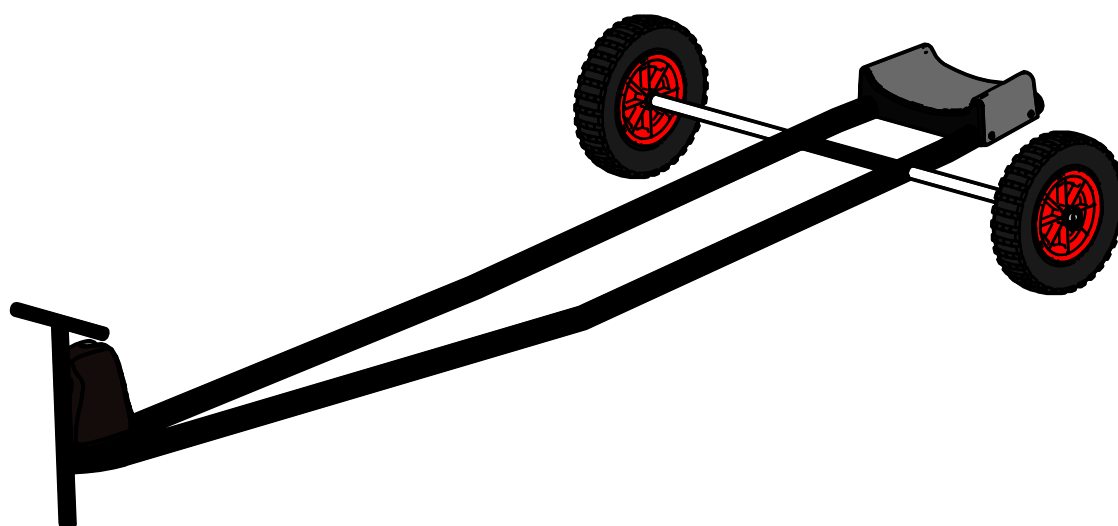
MAINSHEET ROPES AND PULLEYS WZRLMX



Trolley Assembly

Trolley Assembly

TROLLEY ASSEMBLY
WZHTZ

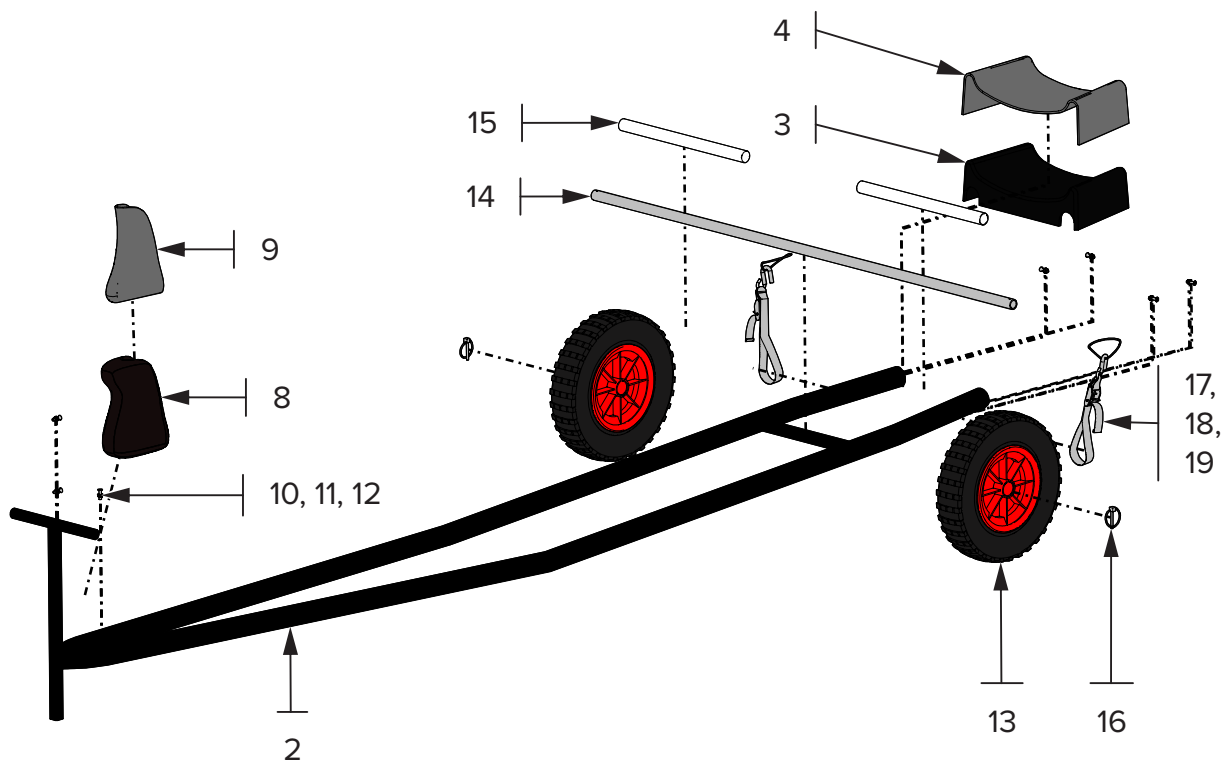


Trolley Assembly

No.	Part no.	Description	Qty
1	WZHTZ	Trolley Assembly	1
2	WZHTF	Trolley Alloy frame	1
3	WZHTSR	Trolley Splash Rear	1
4	WZHTP	EVA padding	-
5	BO6x25RHP	M6x25mm Round Head Bolt Phillips	4
6	BO6W	M6 Washer	4
7	BO6LN	M6 Lock Nut	4
8	WZHTSF	Trolley Splash Front	1
9	WZHTP	EVA padding	-
10	B06x25CSP	M6x25mm Countersunk Bolt Phillips	3
11	BO6W	M6 Washer	3
12	BO6LN	M6 Lock Nut	3
13	WZHTW	Wheels	2
14	WZHTA	Trolley axle	1
15	WZHTAS	Axle spacer	2
16	WZHTC	Wheel clips	2
17	WZHTL	Trolley Tie Down Loop	2
18	WZHTDS	Trolley Tie Down Straps (pair)	2
19	WZHTDSH	Trolley Tie Down Strap Hook	2

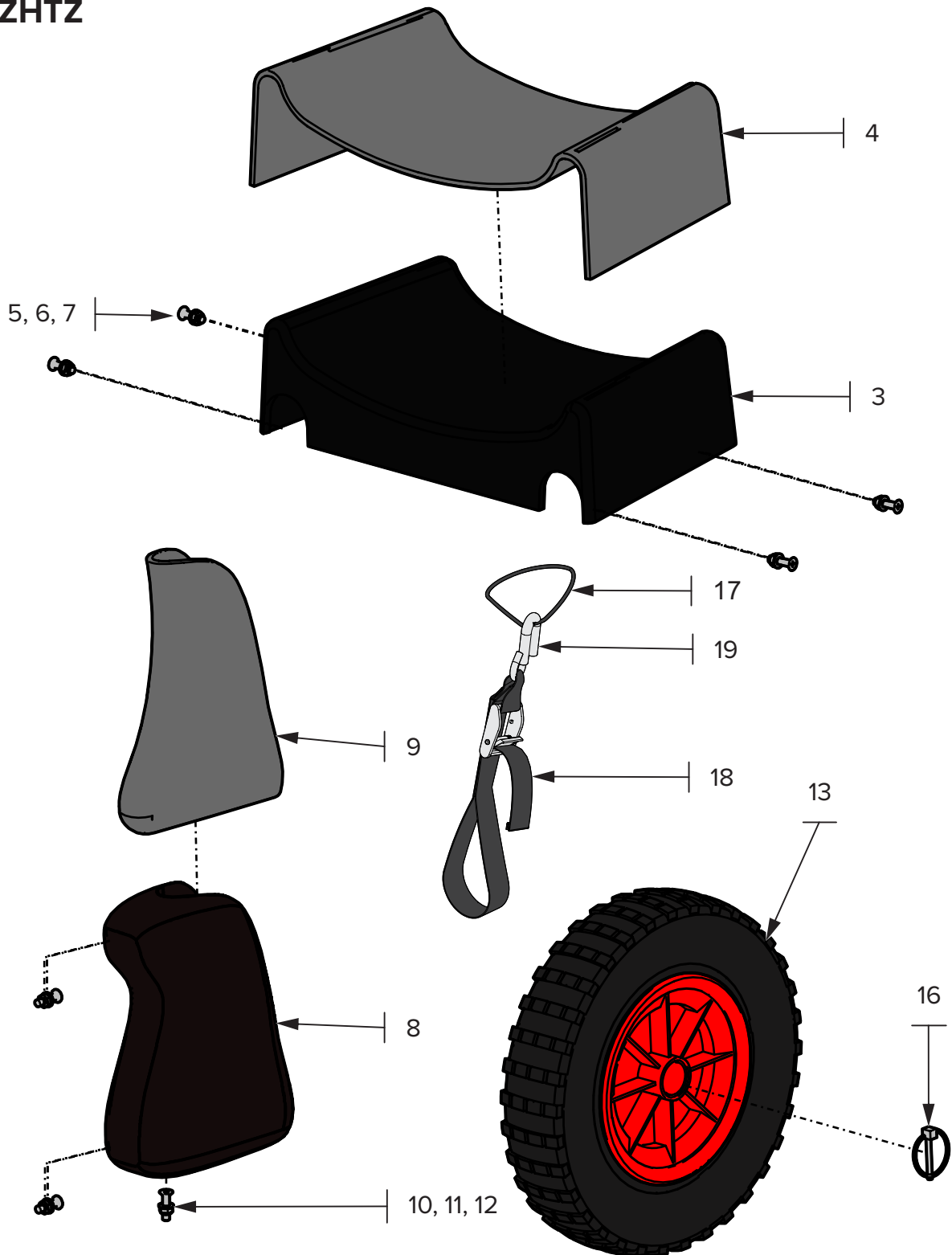
Trolley Assembly

TROLLEY ASSEMBLY WZHTZ



Trolley Assembly

TROLLEY ASSEMBLY WZHTZ

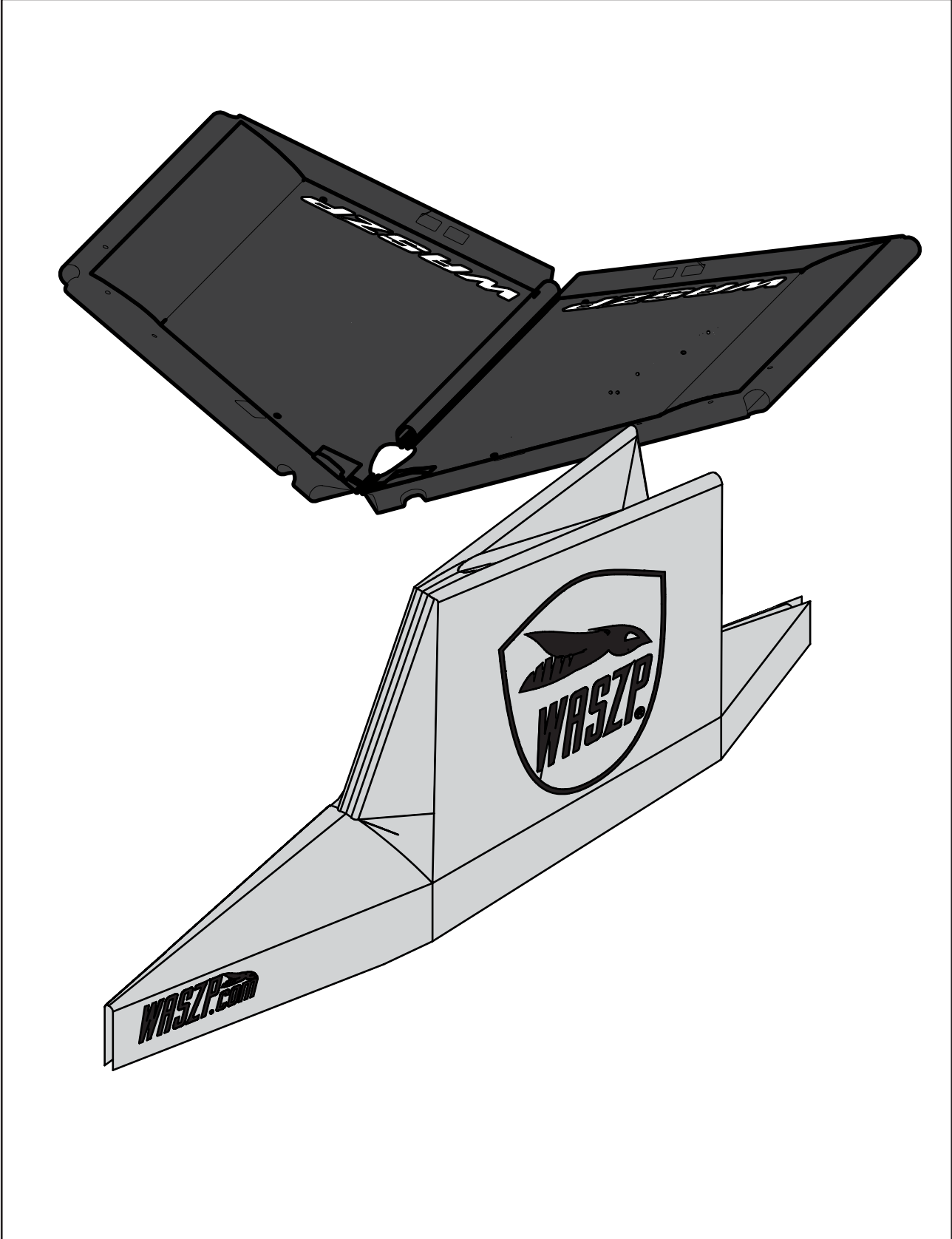




Page left intentionally blank

Softgoods Assembly

Softgoods

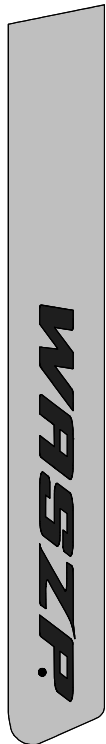


Softgoods

No.	Part no.	Description	Qty
1	WZSFCS	Foil Cover Set (1x WZSFCFV, 1x WZSFCFHS, 1x WZSFCRV, 1x WZSFCRH)	1
2	WZSFCFV	Foil Cover Front Vertical	1
3	WZSFCFHS	Foil Cover Front Horizontal S	1
4	WZSFCFHL	Foil Cover Front Horizontal L (Cruiser)	1
5	WZSFCRH	Foil Cover Rear Horizontal	1
6	WZSFCRV	Foil Cover Rear Vertical	1
7	WZSBCU	Boat Cover (Wings up)	1
8	WZSBCD	Boat Cover (Wings down)	1
9	WZWTPJ	Wing Tramps (Internal Bladders)	1
10	WZWTPIB	Internal Bladder set	1
11	WZWTPJ	Wing Tramps (External Bladders)	1
12	WZWTPJEB	External Bladder set	1
13	WZWTPJ	Wing Tramps (Cruiser)	1
14	WZWTPJEB	High volume bladder set for Cruiser	1
15	WZSFSS	Foot Strap set	1

Softgoods - Foil Covers Sets

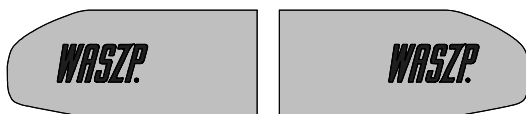
FOIL COVER SET WZSFCS



WZSFCFV



WZSFCRV

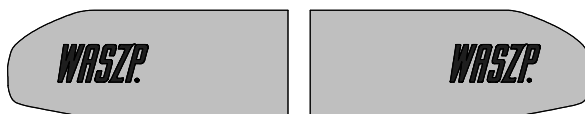


WZSFCFHS



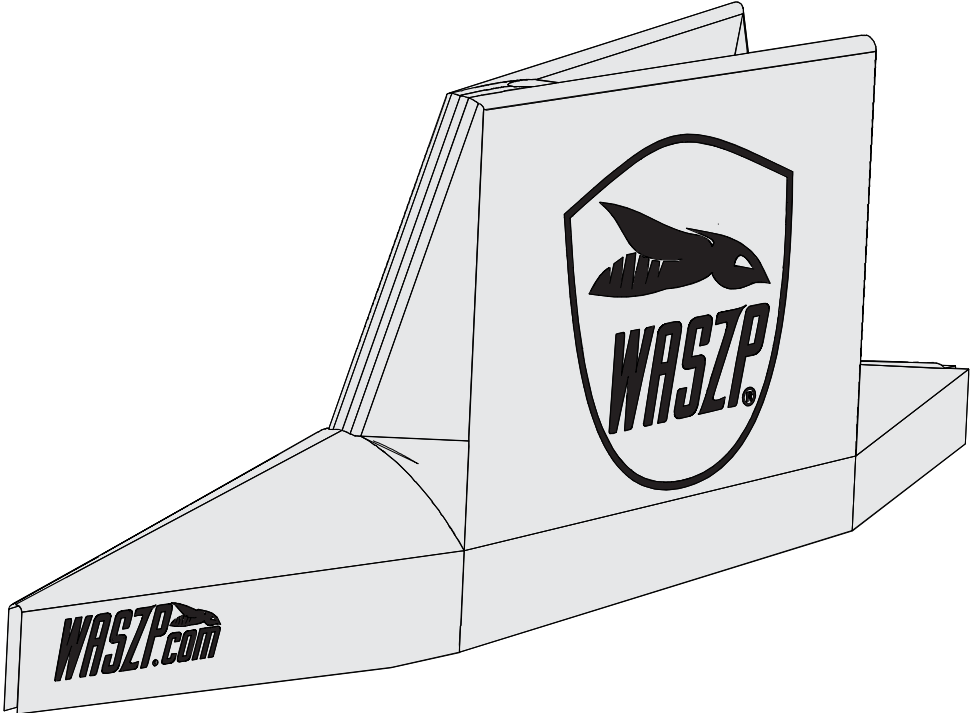
WZSFCRH

not included in foil cover set

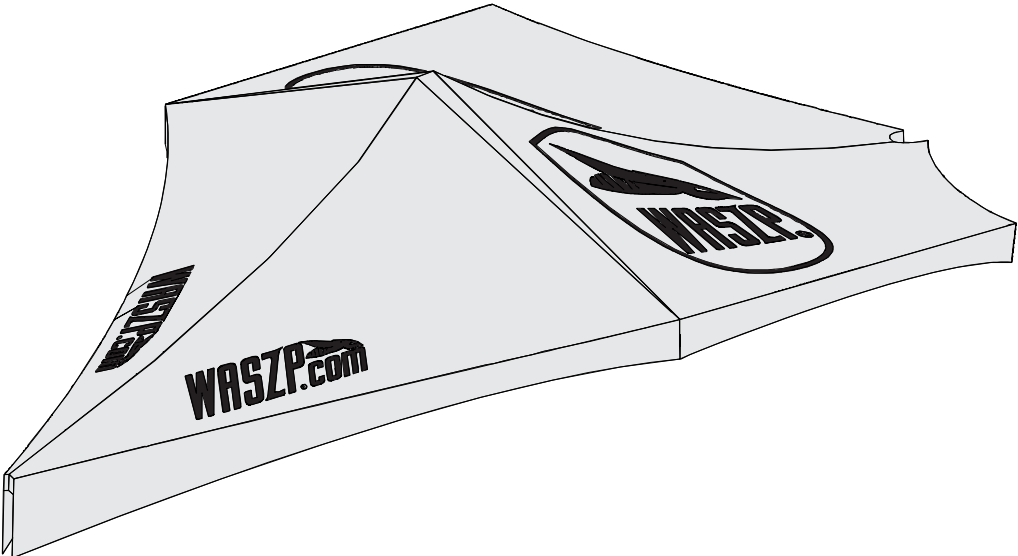


WZSFCFHL

Softgoods - Boat Covers

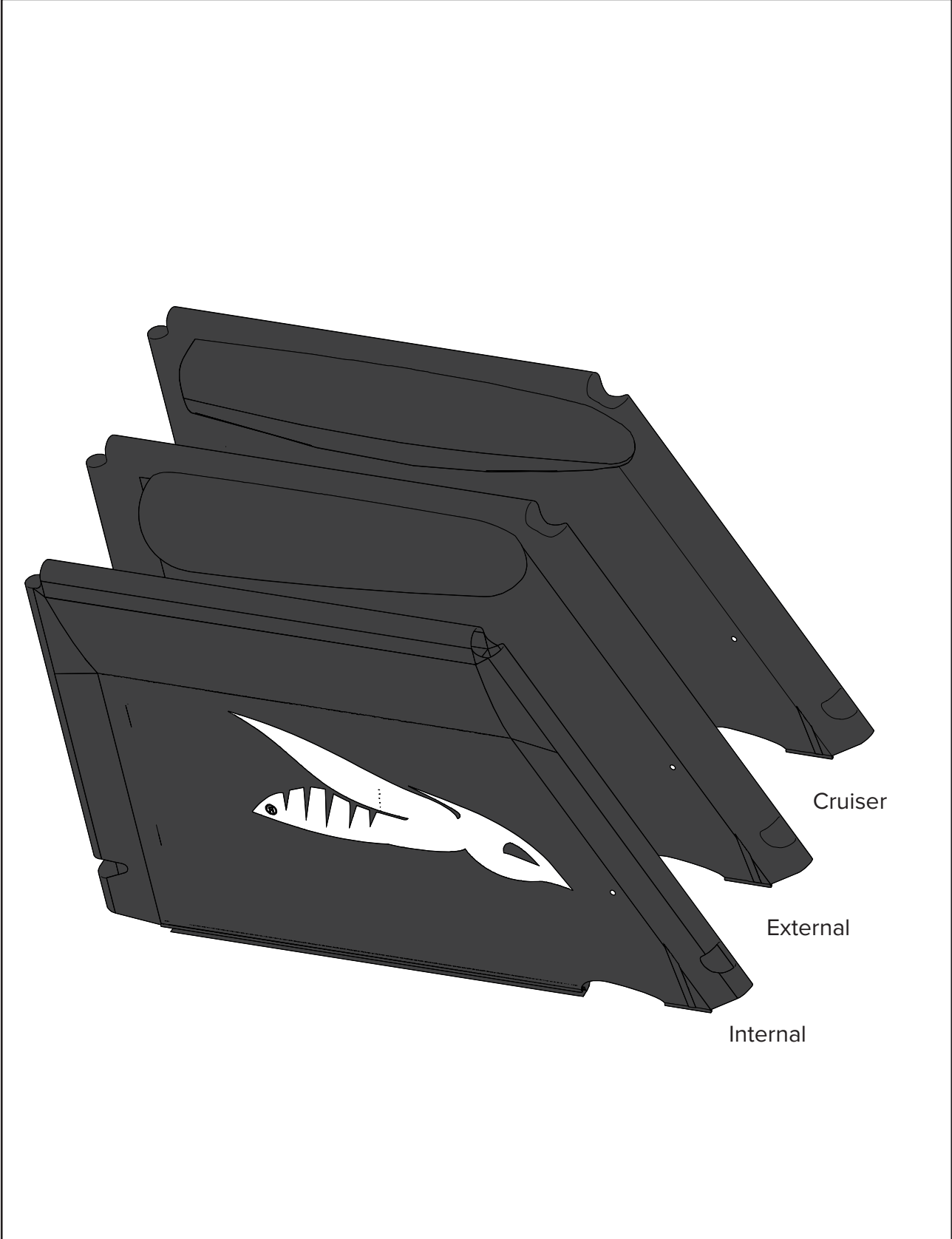


WZSBCU - Boat Cover (Wings up)



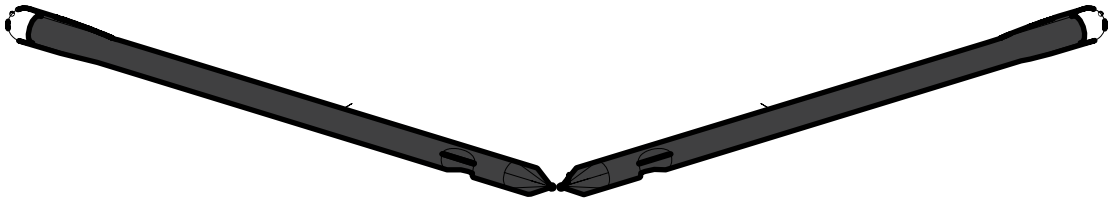
WZSBCD - Boat Cover (Wings down)

Softgoods - Wing Tramps



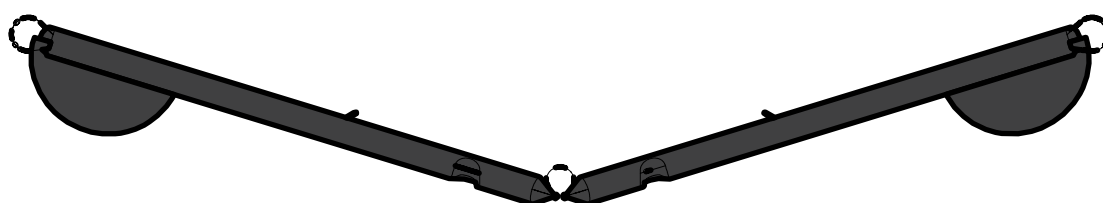
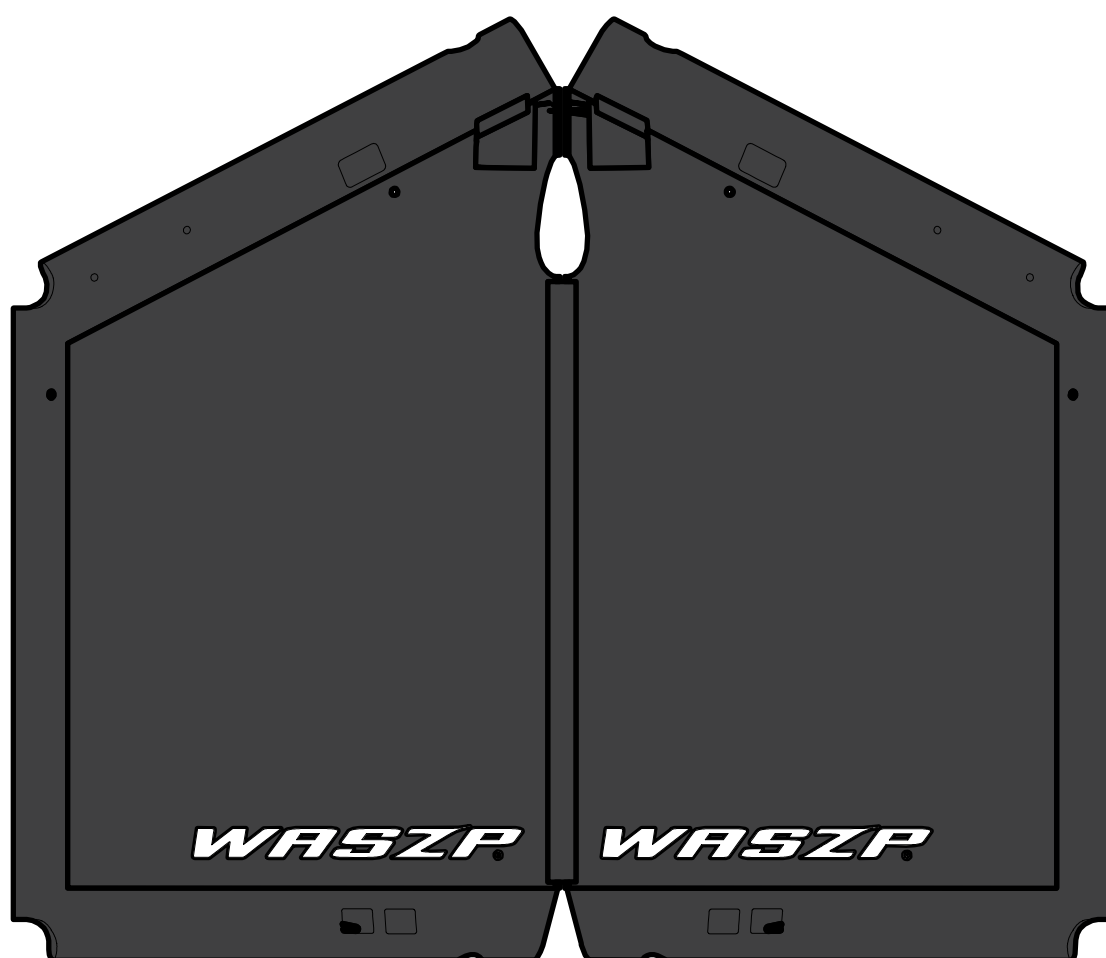
Softgoods - Wing Tramps - Internal

WING TRAMPS WITH INTERNAL BLADDERS
WZWTP1



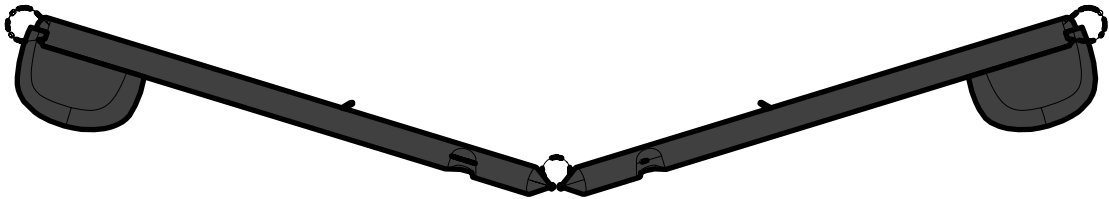
Softgoods - Wing Tramps - External

WING TRAMPS WITH EXTERNAL BLADDERS
WZWTPE

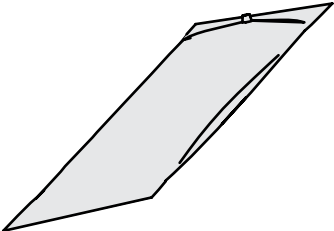
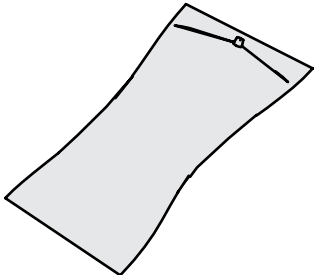


Softgoods - Wing Tramps - Junior

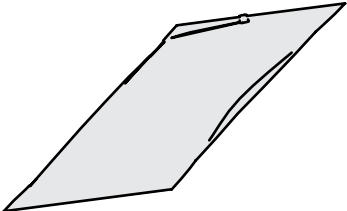
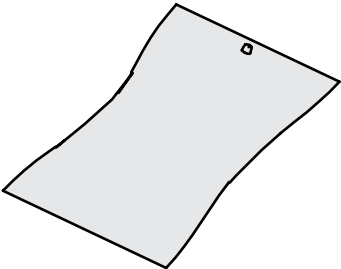
CRUISER WING TRAMPS WITH HIGH VOLUME EXTERNAL
BLADDERS
WZWTPJ



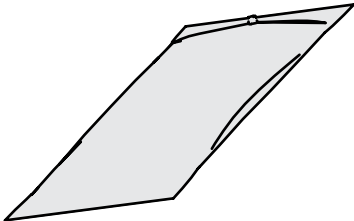
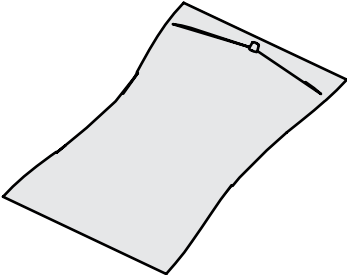
Softgoods - Wing Tramp Bladders



WZWTPJB - High volume Bladder set for Cruiser



WZWTPEB - External Bladder set



WZWTPIB - Internal Bladder set



WASZP reserve the right to update and change any information within this document,

Misprints or any incorrect information included within this document should be reported to sales@waszp.com, and we will update the document as soon as possible.

Copyright 2017 © Kingston Range